



AMBAYOND TECHNOLOGY Co.,Ltd.

**志 誉 科 技**

AMBAYOND TECHNOLOGY

ISO: 9001 认证企业



[Http://www.szambeyond.com](http://www.szambeyond.com)



## 公司簡介

Company Profile



# 志譽科技

AMBEYOND TECHNOLOGY

深圳市志譽科技有限公司成立于1998年, 公司为一般纳税人企业, 可开17%增值税, 拥有独立的进出口权, 是一家集交流、直流无刷散热风扇之模具设计、开发、塑胶射出成型, 电子成品组装为一体的企业。公司拥有自己的塑胶模具车间, 塑胶注塑车间, 五金车间, 线材车间, 电子成品组装车间! 是深圳最大的散热风扇及线材生产厂家! 其公司生产的“AMBEYOND”及“AMBITION”两大注册商标品牌畅销全球!

工厂位于深圳市宝安区公明镇, 厂房面积约6500平方米, 员工200人左右, 公司运作体系按ISO9001(2000)运作, 公司产品均已通过国际安规认证中心的UL、CE、TUV、CSA、CUL等认证, 并达到欧盟ROHS环保之要求。月产风扇销量100-300万台, CPU散热器50-100万台, 其产品畅销全球, 风扇机种较行业之最全, 主要生产交流风扇(AC)6CM-25CM, 直流风扇(DC)2CM-250CM, 及各种散热器, 塑胶件, 电子线, 五金配件, 另可订制各类非标散热风扇, 其产品具有温控, 恒温, 手调, 自动保护等特殊功能, 且可作防潮, 防水特等级处理, 同时公司拥有多台抄数机、雕刻机、投影仪、火花机等, 可在最短时间内根据客户的需求量身订做手板及模具, 并研发出性能优异的产品。公司还拥有风量、风压测试仪、无响室、平衡机及马达多功能测试仪, 可以对成品及新产品的开发做准确及可靠的测量。

公司产品主要用于设备的通风散热制冷, 涉及的领域有家电系列、音响及医疗、军工、安防、通信、电力, 烧烤设备及需散热, 除湿, 除臭要求的设备。

公司经营理念: 品质第一, 客户为上, 精益求精, 成果共享

公司质量方针: 提高自身素质, 不断完善自我, 创造卓越品质, 超越顾客要求



Shenzhen AMBEYOND Technology Ltd. was established in 1998. Our company is a general taxpayer enterprises, and can open 17% VAT with independent import and export right. We are professional in designing and developing kinds of moulds for AC Cooling Fans, Brushless DC Cooling Fans, Plastic Injection Molding and Finished Electronic products assembly for an integrated enterprise. Our factory has our own plastic mould workshop, plastic injection workshop, metal workshop, wire rod workshop and assembly workshop for electronic products. We are the largest manufacturer engaged in Cooling Fan and Wire Rod producing in Shenzhen. Our company are famous for two registered trademark "AMBEYOND" and "AMBITION" across the world.

AMBEYOND is located in Gongming Town, Baoan District, Shenzhen City. At present, AMBEYOND has a factory which occupies 6500 square meters and employs more than 200 staff members. Our company is operated according to Quality System ISO9001(2000), and all our products are certified by UL, CE, TUV, CSA, CUL and RoHS. The Monthly Sales Volume of Fans reaches 1 to 3 million unit and CPU Cooler reaches 0.5 to 1 million unit. Our products are sold all over the world, we have the most comprehensive fan models in the Fan industry. The main product line of AMBEYOND has AC Fan(6-25cm), DC Fan(2-250cm), and all kinds of Radiator, Plastic Parts, Electronic Wire, Hardware Accessories, etc. Customers are able to customize all kinds of non-standard Cooling Fan with specific functions, such as temperature control, constant temperature, manual setting, Automatic protection, etc. AMBEYOND has many sets of Scanner Machine, Engraving Machine, Projector, Spark Machine, etc. We can make plank and mould according to the demands of customers and develop products with high performance in shortest time. Our company owns Air Rate Tester, Wind Pressure Tester, Anechoic Chamber, Balancing machine and Motor Multifunction Tester, which can make accurate and reliable measurement on finished products and development of new products.

Company's products are mainly used for equipment ventilation, cooling and refrigeration, focusing on the areas of electrical appliances series, sound, medical treatment, military, security, communication, electric power, baking equipment and those equipments with requirements of cooling, dehumidification and deodorization.

The company's operation principle: quality oriented, customer first, strive for excellence, share success and stick to quality policy: to improve our own quality, and constantly improve ourselves, create excellent quality and exceed customer requirements.

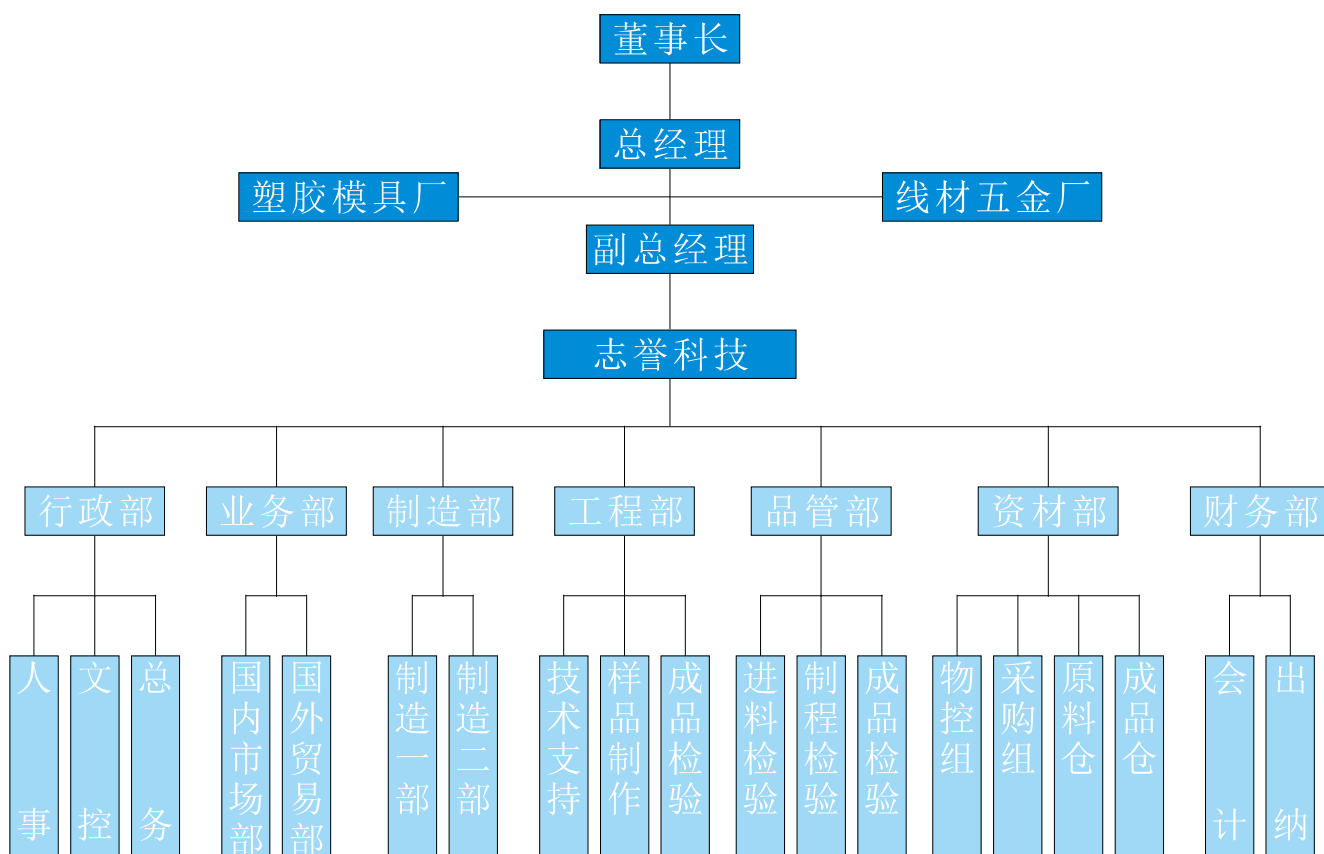




**经营理念**  
品质第一 客户为上  
精益求精 成果共享

**品质方针**  
提高自身素质，不断完善自我；  
创造卓越品质，超越顾客要求。

## 组织结构图



强大的管理队伍、铸造出高品质的产品。

——志誉科技

## 产品简介

本公司生产的系列散热风扇均采用小体积高效率的设计，具有重量轻、风量大、噪音低、高强度、低震动、耐高温、寿命长之优点；特别适合轻、薄、小之产品使用。

## 产品命名规则



**AV - F 120 25 L S 05**

公司代码: "AV" AMBEYOND 品牌风扇  
Company code: "AV" AMBEYOND brand products

风扇类别: "F" DC 直流风扇;  
"A" AC 交流风扇;  
Fan Category: "F" DC Fan;  
"A" AC Fan;

外框长宽尺寸  
(Frame Size):  
120=120mm  
80=80mm  
60=60mm  
40=40mm  
25=25mm

外框厚度尺寸  
(Frame Thickness):  
38=38mm  
25=25mm  
20=20mm  
10=10mm

电压类别:  
05=5V      空白=12V  
24=24V    48=48V  
10=110V   20=220V  
30=380V

轴承类别: S:含油轴承;  
B:双滚珠轴承;  
C:单滚珠轴承;  
Bearing type: "S" Sleeve bearing;  
"B" Two ball bearing;  
"C" One ball bearing;

转速类别: "L" 低转速;  
"M" 中转速;  
"H" 高转速;  
"D" 超高转速;  
Speed: "L" Low speed;  
"M" Middle speed;  
"H" High speed;  
"D" Super high speed;

## Product List



### DC Fan Series

AV-F2507	/	1P
AV-F2510	/	2P
AV-F3006	/	3P
AV-F3007	/	4P
AV-F3010	/	5P
AV-F3510	/	6P
AV-F4007	/	7P
AV-F4010	/	8P
AV-F4015	/	9P
AV-F4020	/	10P
AV-F4028	/	11P
AV-F5010	/	12P
AV-F5015	/	13P
AV-F5020	/	14P
AV-F6010	/	15P
AV-F6015	/	16P
AV-F6020	/	17P
AV-F6025	/	18P
AV-F7010	/	19P
AV-F7015	/	20P
AV-F7025	/	21P
AV-F8010	/	22P
AV-F8015	/	23P
AV-F8020	/	24P
AV-F8025	/	25P
AV-F9225	/	26P
AV-F9238	/	27P
AV-F12020	/	28P
AV-F12025	/	29P
AV-F12038	/	30P
AV-F14025	/	31P
AV-F17251	/	32P



### AC Fan Series

AV-A6030	/	33P
AV-A8025	/	34P
AV-A8038	/	35P
AV-A9225	/	36P
AV-A9238	/	37P
AV-A12025	/	38P
AV-A12038(5)	/	39P
AV-A12038(7)	/	40P
AV-A15050	/	41P
AV-A17238	/	42P
AV-A17251	/	43P
AV-A22060	/	44P



### DC Blower Fan Series

AV-F4020	/	45P
AV-F5015	/	46P
AV-F6015	/	47P
AV-F7015	/	48P
AV-F7530	/	49P
AV-F9733	/	50P
AV-F12032	/	51P



### Other Series

LED Fan Series	/	52P
Other Fan Series	/	53P
CPU Cooler Series	/	54~55P
Notebook Cooler Series	/	56~57P
Net Cover Series	/	58P
High Performance Fan Series	/	59~60P



### Cable Series

Plug Power Line Series	/	61P
AV Series	/	61P
USB Series	/	62P
Cabel Series	/	62P
SATA Series	/	63P
Terminal line Series	/	63P

**AV-F2507**



**SIZE:**

25x25x7mm

**construction:**

Glass Fiber reinforced plastic;  
Impeller and housing PBT are UL 94V-0 rating

**OPERATING TEMPERATURE:**

Sleeve bearing -10°C to +70°C

**INSULATION RESISTANCE:**

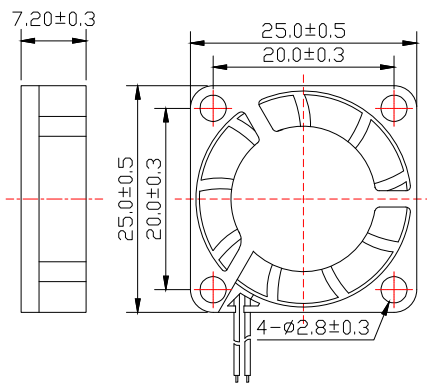
10meg Ohm min, at 500 VDC  
(between frame and terminal)

**DIELECTRIC STRENGTH:**

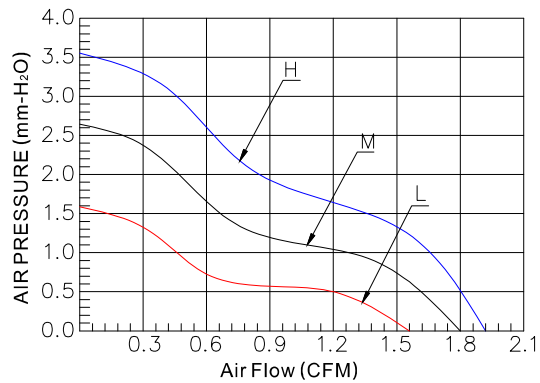
5mA max, at 500 VAC 60Hz one minute  
(between frame and terminal)

**Dimensions Drawing**

Unit:mm



**Characteristic Curves**



**Specifications**

Carton Specifications (Unit: cm):45x27x18 QTY:1000pcs GW:6.85Kg

Model	Bearing Type	Rated Voltage	Operation Voltage	Current	Speed	Air Flow	Static Pressure	Noise Level	Weight
		VDC	VDC						
AV-F2507HS05	Sleeve	5	4.5~5.5	0.20	10000	1.92	3.55	22.50	6.1
AV-F2507MS05	Sleeve	5	4.5~5.5	0.16	9000	1.80	2.64	20.58	6.1
AV-F2507LS05	Sleeve	5	4.5~5.5	0.12	8000	1.60	1.58	20.18	6.1
AV-F2507HS	Sleeve	12	10.8~13.2	0.15	10000	1.92	3.55	22.50	6.1
AV-F2507MS	Sleeve	12	10.8~13.2	0.12	9000	1.80	2.64	20.58	6.1
AV-F2507LS	Sleeve	12	10.8~13.2	0.09	8000	1.60	1.58	20.18	6.1

**AV-F2510**



**SIZE:**

25x25x10mm

**construction:**

Glass Fiber reinforced plastic;  
Impeller and housing PBT are UL 94V-0 rating

**OPERATING TEMPERATURE:**

Sleeve bearing -10°C to +70°C

**INSULATION RESISTANCE:**

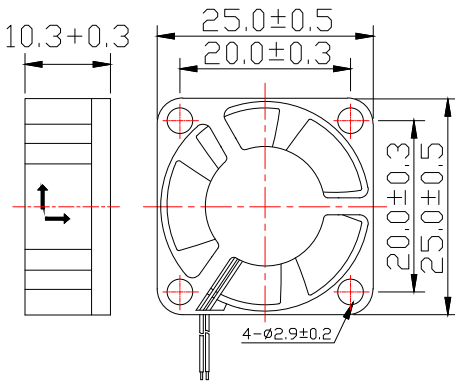
10meg Ohm min, at 500 VDC  
(between frame and terminal)

**DIELECTRIC STRENGTH:**

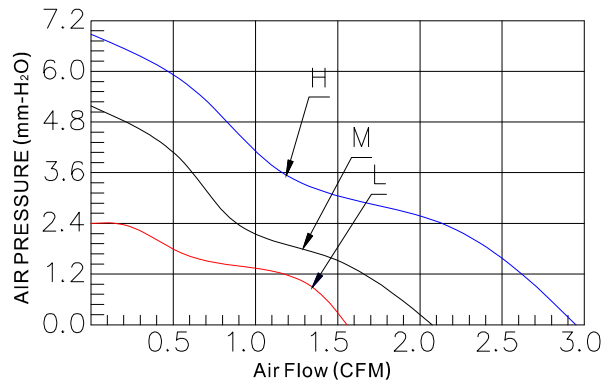
5mA max, at 500 VAC 60Hz one minute  
(between frame and terminal)

**Dimensions Drawing**

Unit:mm



**Characteristic Curves**



**Specifications**

Carton Specifications (Unit: cm):45x27x18 QTY:1000pcs GW:6.85Kg

Model	Bearing Type	Rated Voltage	Operation Voltage	Current	Speed	Air Flow	Static Pressure	Noise Level	Weight
		VDC	VDC						
AV-F2510HS05	Sleeve	5	4.5~5.5	0.12	13000	2.90	6.93	30.78	6.1
AV-F2510MS05	Sleeve	5	4.5~5.5	0.10	8000	2.22	5.01	24.11	6.1
AV-F2510LS05	Sleeve	5	4.5~5.5	0.08	6000	1.53	2.40	18.97	6.1
AV-F2510HB05	Ball	5	4.5~5.5	0.12	13000	2.90	6.93	30.78	6.1
AV-F2510MB05	Ball	5	4.5~5.5	0.10	8000	2.22	5.01	24.11	6.1
AV-F2510LB05	Ball	5	4.5~5.5	0.08	6000	1.53	2.40	18.97	6.1
AV-F2510HS	Sleeve	12	10.8~13.2	0.12	13000	2.90	6.93	30.78	6.1
AV-F2510MS	Sleeve	12	10.8~13.2	0.08	8000	2.22	5.01	24.11	6.1
AV-F2510LS	Sleeve	12	10.8~13.2	0.06	6000	1.53	2.40	18.97	6.1
AV-F2510HB	Ball	12	10.8~13.2	0.12	13000	2.90	6.93	30.78	6.1
AV-F2510MB	Ball	12	10.8~13.2	0.08	8000	2.22	5.01	24.11	6.1
AV-F2510LB	Ball	12	10.8~13.2	0.06	6000	1.53	2.40	18.97	6.1

**AV-3006**



**SIZE:**

30x30x6mm

**construction:**

Glass Fiber reinforced plastic;  
Impeller and housing PBT are UL 94V-0 rating

**OPERATING TEMPERATURE:**

Sleeve bearing -10°C to +70°C

**INSULATION RESISTANCE:**

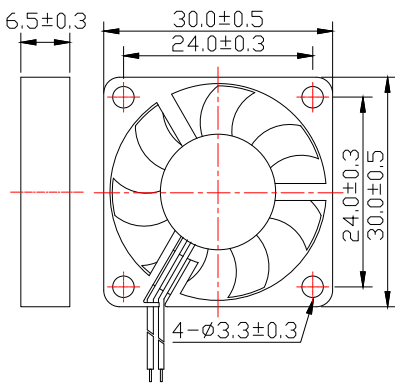
10meg Ohm min, at 500 VDC  
(between frame and terminal)

**DIELECTRIC STRENGTH:**

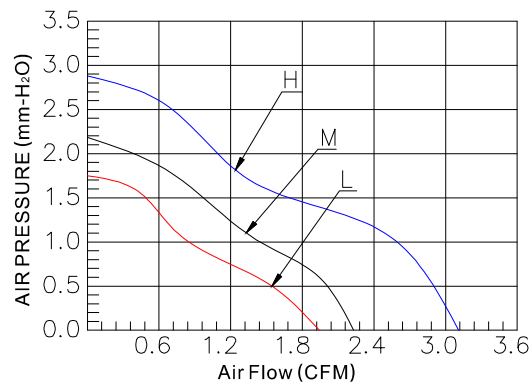
5mA max, at 500 VAC 60Hz one minute  
(between frame and terminal)

**Dimensions Drawing**

Unit:mm



**Characteristic Curves**



**Specifications**

Carton Specifications (Unit: cm):45x27x18 QTY:1000pcs GW:8.35Kg

Model	Bearing Type	Rated Voltage	Operation Voltage	Current	Speed	Air Flow	Static Pressure	Noise Level	Weight
		VDC	VDC						
AV-F3006HS05	Sleeve	5	4.5~5.5	0.20	8000	3.09	2.87	25.44	7.6
AV-F3006MS05	Sleeve	5	4.5~5.5	0.16	6000	2.32	2.15	21.25	7.6
AV-F3006LS05	Sleeve	5	4.5~5.5	0.12	5000	1.93	1.79	20.11	7.6
AV-F3006HB05	Ball	5	4.5~5.5	0.20	8000	3.09	2.87	25.44	7.6
AV-F3006MB05	Ball	5	4.5~5.5	0.16	6000	2.32	2.15	21.25	7.6
AV-F3006LB05	Ball	5	4.5~5.5	0.12	5000	1.93	1.79	20.11	7.6
AV-F3006HS	Sleeve	12	10.8~13.2	0.12	8000	3.09	2.87	25.44	7.6
AV-F3006MS	Sleeve	12	10.8~13.2	0.10	6000	2.32	2.15	21.25	7.6
AV-F3006LS	Sleeve	12	10.8~13.2	0.08	5000	1.93	1.79	20.11	7.6
AV-F3006HB	Ball	12	10.8~13.2	0.12	8000	3.09	2.87	25.44	7.6
AV-F3006MB	Ball	12	10.8~13.2	0.10	6000	2.32	2.15	21.25	7.6
AV-F3006LB	Ball	12	10.8~13.2	0.08	5000	1.93	1.79	20.11	7.6



**AV-3007**



**SIZE:**

30x30x7mm

**construction:**

Glass Fiber reinforced plastic;  
Impeller and housing PBT are UL 94V-0 rating

**OPERATING TEMPERATURE:**

Sleeve bearing -10°C to +70°C

**INSULATION RESISTANCE:**

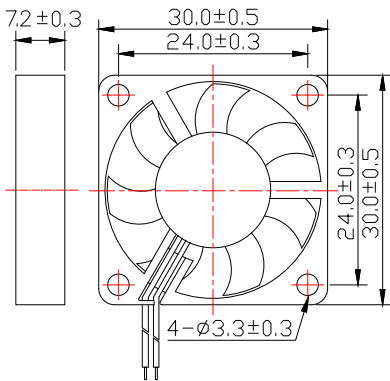
10meg Ohm min, at 500 VDC  
(between frame and terminal)

**DIELECTRIC STRENGTH:**

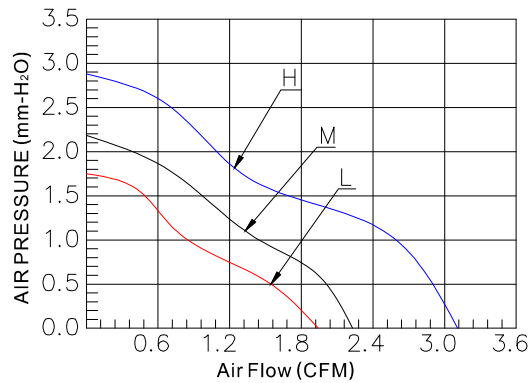
5mA max, at 500 VAC 60Hz one minute  
(between frame and terminal)

**Dimensions Drawing**

Unit:mm



**Characteristic Curves**



**Specifications**

Carton Specifications (Unit: cm):45x27x18 QTY:1000pcs GW:8.35Kg

Model	Bearing Type	Rated Voltage	Operation Voltage	Current	Speed	Air Flow	Static Pressure	Noise Level	Weight
		VDC	VDC						
AV-F3007HS05	Sleeve	5	4.5~5.5	0.20	8000	3.09	2.87	25.44	8
AV-F3007MS05	Sleeve	5	4.5~5.5	0.16	6000	2.32	2.15	21.25	8
AV-F3007LS05	Sleeve	5	4.5~5.5	0.12	5000	1.93	1.79	20.11	8
AV-F3007HB05	Ball	5	4.5~5.5	0.20	8000	3.09	2.87	25.44	8
AV-F3007MB05	Ball	5	4.5~5.5	0.16	6000	2.32	2.15	21.25	8
AV-F3007LB05	Ball	5	4.5~5.5	0.12	5000	1.93	1.79	20.11	8
AV-F3007HS	Sleeve	12	10.8~13.2	0.12	8000	3.09	2.87	25.44	8
AV-F3007MS	Sleeve	12	10.8~13.2	0.10	6000	2.32	2.15	21.25	8
AV-F3007LS	Sleeve	12	10.8~13.2	0.08	5000	1.93	1.79	20.11	8
AV-F3007HB	Ball	12	10.8~13.2	0.12	8000	3.09	2.87	25.44	8
AV-F3007MB	Ball	12	10.8~13.2	0.10	6000	2.32	2.15	21.25	8
AV-F3007LB	Ball	12	10.8~13.2	0.08	5000	1.93	1.79	20.11	8

**AV-F3010**



**SIZE:**

30x30x10mm

**construction:**

Glass Fiber reinforced plastic;  
Impeller and housing PBT are UL 94V-0 rating

**OPERATING TEMPERATURE:**

Sleeve bearing -10°C to +70°C

**INSULATION RESISTANCE:**

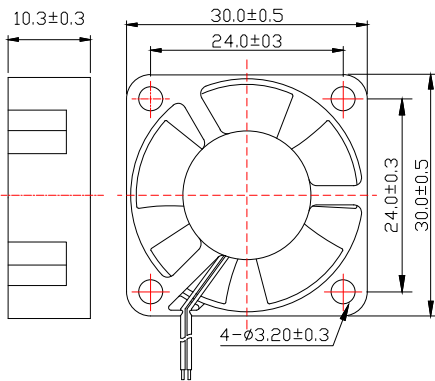
10meg Ohm min, at 500 VDC  
(between frame and terminal)

**DIELECTRIC STRENGTH:**

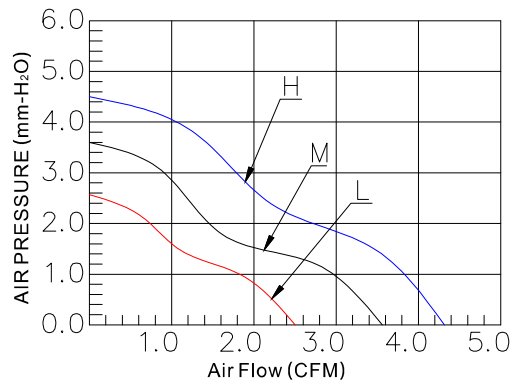
5mA max, at 500 VAC 60Hz one minute  
(between frame and terminal)

**Dimensions Drawing**

Unit:mm



**Characteristic Curves**



**Specifications**

Carton Specifications (Unit: cm):45x27x18 QTY:1000pcs GW:8.85Kg

Model	Bearing Type	Rated Voltage	Operation Voltage	Current	Speed	Air Flow	Static Pressure	Noise Level	Weight
		VDC	VDC						
AV-F3010HS05	Sleeve	5	4.5~5.5	0.20	9500	4.23	4.47	28.46	8.5
AV-F3010MS05	Sleeve	5	4.5~5.5	0.16	8000	3.56	3.76	23.23	8.5
AV-F3010LS05	Sleeve	5	4.5~5.5	0.14	5500	2.45	2.59	20.26	8.5
AV-F3010HB05	Ball	5	4.5~5.5	0.20	9500	4.23	4.47	28.46	8.5
AV-F3010MB05	Ball	5	4.5~5.5	0.16	8000	3.56	3.76	23.23	8.5
AV-F3010LB05	Ball	5	4.5~5.5	0.14	5500	2.45	2.59	20.26	8.5
AV-F3010HS	Sleeve	12	10.8~13.2	0.12	9500	4.23	4.47	28.46	8.5
AV-F3010MS	Sleeve	12	10.8~13.2	0.09	8000	3.56	3.76	23.23	8.5
AV-F3010LS	Sleeve	12	10.8~13.2	0.06	5500	2.45	2.59	20.26	8.5
AV-F3010HB	Ball	12	10.8~13.2	0.12	9500	4.23	4.47	28.46	8.5
AV-F3010MB	Ball	12	10.8~13.2	0.09	8000	3.56	3.76	23.23	8.5
AV-F3010LB	Ball	12	10.8~13.2	0.06	5500	2.45	2.59	20.26	8.5

**AV-F3510**



**SIZE:**

25x25x7mm

**construction:**

Glass Fiber reinforced plastic;  
Impeller and housing PBT are UL 94V-0 rating

**OPERATING TEMPERATURE:**

Sleeve bearing -10°C to +70°C

**INSULATION RESISTANCE:**

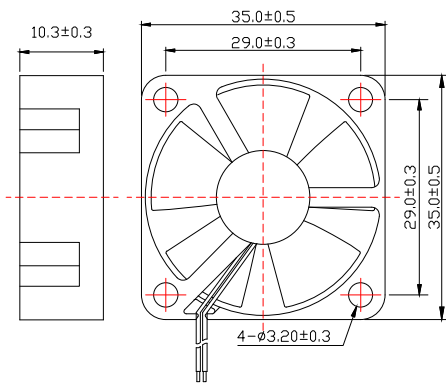
10meg Ohm min, at 500 VDC  
(between frame and terminal)

**DIELECTRIC STRENGTH:**

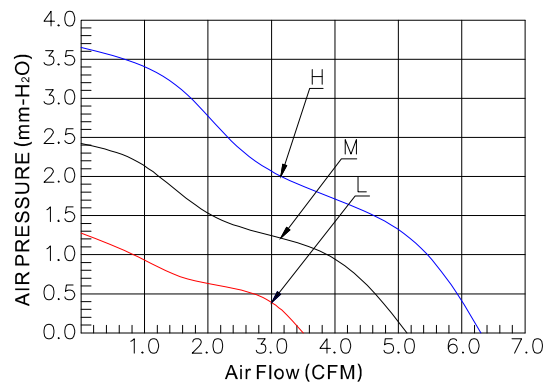
5mA max, at 500 VAC 60Hz one minute  
(between frame and terminal)

**Dimensions Drawing**

Unit:mm



**Characteristic Curves**



**Specifications**

Carton Specifications (Unit: cm):34x25.2x26 QTY:1000pcs GW:11.25Kg

Model	Bearing Type	Rated Voltage	Operation Voltage	Current	Speed	Air Flow	Static Pressure	Noise Level	Weight
		VDC	VDC						
AV-F3510HS05	Sleeve	5	4.5~5.5	0.23	9000	6.30	3.68	32.37	10
AV-F3510MS05	Sleeve	5	4.5~5.5	0.22	7000	5.06	2.44	25.88	10
AV-F3510LS05	Sleeve	5	4.5~5.5	0.13	5000	3.51	1.28	20.26	10
AV-F3510HB05	Ball	5	4.5~5.5	0.23	9000	6.30	3.68	32.37	10
AV-F3510MB05	Ball	5	4.5~5.5	0.22	7000	5.06	2.44	25.88	10
AV-F3510LB05	Ball	5	4.5~5.5	0.13	5000	3.51	1.28	20.26	10
AV-F3510HS	Sleeve	12	10.8~13.2	0.14	9000	6.30	3.68	32.37	10
AV-F3510MS	Sleeve	12	10.8~13.2	0.11	7000	5.06	2.44	25.88	10
AV-F3510LS	Sleeve	12	10.8~13.2	0.08	5000	3.51	1.28	20.26	10
AV-F3510HB	Ball	12	10.8~13.2	0.14	9000	6.30	3.68	32.37	10
AV-F3510MB	Ball	12	10.8~13.2	0.11	7000	5.06	2.44	25.88	10
AV-F3510LB	Ball	12	10.8~13.2	0.08	5000	3.51	1.28	20.26	10



**SIZE:**

40x40x7mm

**construction:**

Glass Fiber reinforced plastic;  
Impeller and housing PBT are UL 94V-0 rating

**OPERATING TEMPERATURE:**

Sleeve bearing -10°C to +70°C

**INSULATION RESISTANCE:**

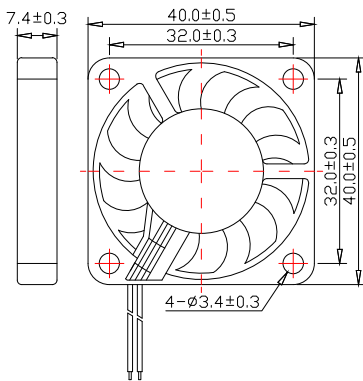
10meg Ohm min, at 500 VDC  
(between frame and terminal)

**DIELECTRIC STRENGTH:**

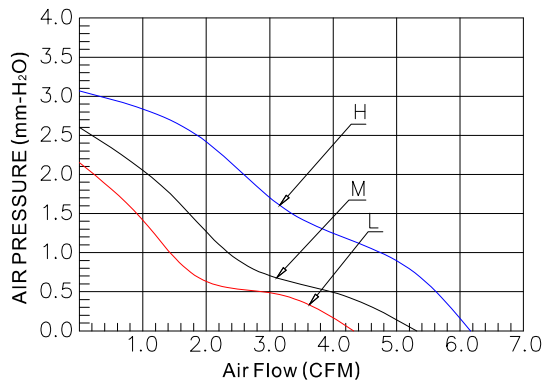
5mA max, at 500 VAC 60Hz one minute  
(between frame and terminal)

**Dimensions Drawing**

Unit:mm



**Characteristic Curves**



**Specifications**

Carton Specifications (Unit: cm):44x22x22 QTY:1000pcs GW:11.56Kg

Model	Bearing Type	Rated Voltage	Operation Voltage	Current	Speed	Air Flow	Static Pressure	Noise Level	Weight
		VDC	VDC						
AV-F400H7S05	Sleeve	5	4.5~5.5	0.26	7000	6.07	3.03	31.59	10.5
AV-F4007MS05	Sleeve	5	4.5~5.5	0.20	6000	5.20	2.60	27.08	10.5
AV-F4007LS05	Sleeve	5	4.5~5.5	0.12	5000	4.34	2.17	22.57	10.5
AV-F4007HS	Sleeve	12	10.8~13.2	0.13	7000	6.07	3.03	31.59	10.5
AV-F4007MS	Sleeve	12	10.8~13.2	0.10	6000	5.20	2.60	27.08	10.5
AV-F4007LS	Sleeve	12	10.8~13.2	0.07	5000	4.34	2.17	22.57	10.5

**AV-F4010**



**SIZE:**

40x40x10mm

**construction:**

Glass Fiber reinforced plastic;  
Impeller and housing PBT are UL 94V-0 rating

**OPERATING TEMPERATURE:**

Sleeve bearing -10°C to +70°C

**INSULATION RESISTANCE:**

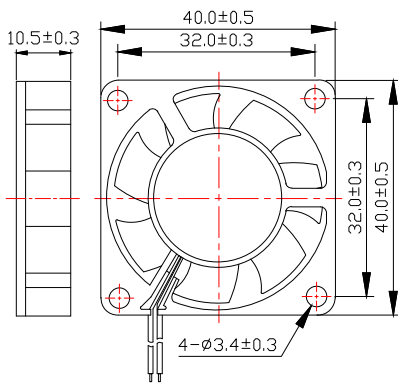
10meg Ohm min, at 500 VDC  
(between frame and terminal)

**DIELECTRIC STRENGTH:**

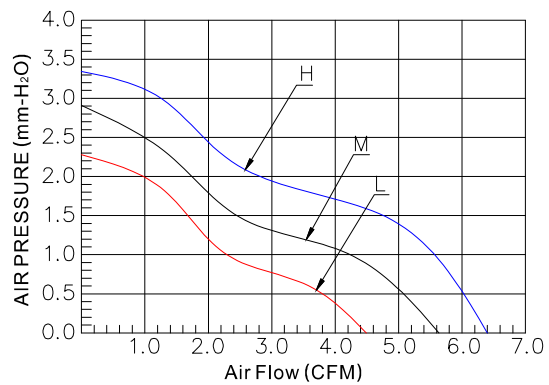
5mA max, at 500 VAC 60Hz one minute  
(between frame and terminal)

**Dimensions Drawing**

Unit:mm



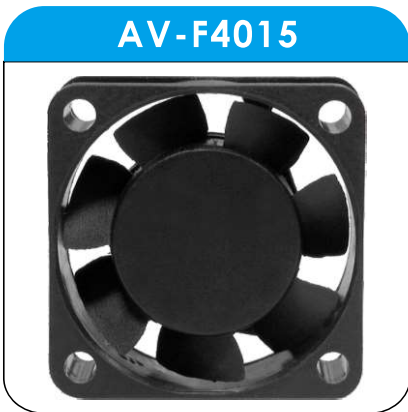
**Characteristic Curves**



**Specifications**

Carton Specifications (Unit: cm):44x22x22 QTY:1000pcs GW:12.95Kg

Model	Bearing Type	Rated Voltage	Operation Voltage	Current	Speed	Air Flow	Static Pressure	Noise Level	Weight
		VDC	VDC						
AV-F4010HS05	Sleeve	5	4.5~5.5	0.24	6000	6.40	3.31	26.26	12.2
AV-F4010MS05	Sleeve	5	4.5~5.5	0.18	5400	5.62	2.91	24.87	12.2
AV-F4010LS05	Sleeve	5	4.5~5.5	0.12	4200	4.48	2.32	21.13	12.2
AV-F4010HB05	Ball	5	4.5~5.5	0.24	6000	6.40	3.31	26.26	12.2
AV-F4010MB05	Ball	5	4.5~5.5	0.18	5400	5.62	2.91	24.87	12.2
AV-F4010LB05	Ball	5	4.5~5.5	0.12	4200	4.48	2.32	21.13	12.2
AV-F4010HS	Sleeve	12	10.8~13.2	0.10	6000	6.40	3.31	26.26	12.2
AV-F4010MS	Sleeve	12	10.8~13.2	0.08	5400	5.62	2.91	24.87	12.2
AV-F4010LS	Sleeve	12	10.8~13.2	0.06	4200	4.48	2.32	21.13	12.2
AV-F4010HB	Ball	12	10.8~13.2	0.10	6000	6.40	3.31	26.26	12.2
AV-F4010MB	Ball	12	10.8~13.2	0.08	5400	5.62	2.91	24.87	12.2
AV-F4010LB	Ball	12	10.8~13.2	0.06	4200	4.48	2.32	21.13	12.2



**SIZE:**

40x40x15mm

**construction:**

Glass Fiber reinforced plastic;  
Impeller and housing PBT are UL 94V-0 rating

**OPERATING TEMPERATURE:**

Sleeve bearing -10°C to +70°C

**INSULATION RESISTANCE:**

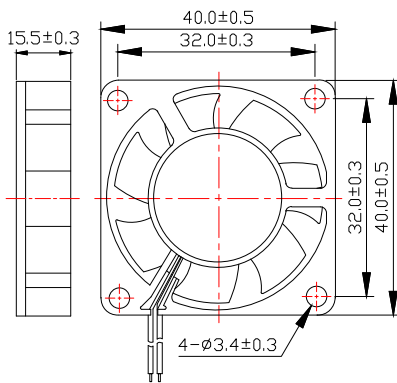
10meg Ohm min, at 500 VDC  
(between frame and terminal)

**DIELECTRIC STRENGTH:**

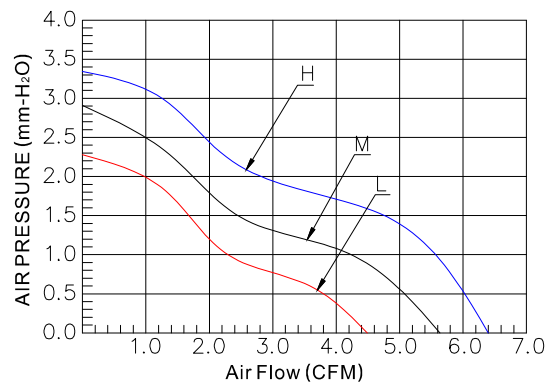
5mA max, at 500 VAC 60Hz one minute  
(between frame and terminal)

**Dimensions Drawing**

Unit:mm



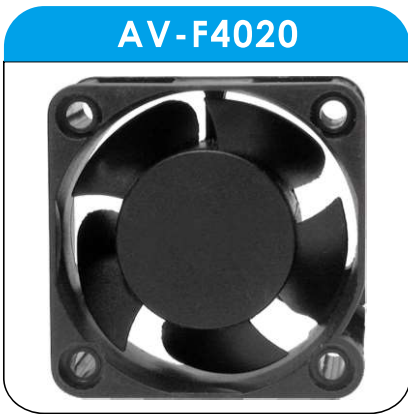
**Characteristic Curves**



**Specifications**

Carton Specifications (Unit: cm):44x33x22 QTY:1000pcs GW:22.65Kg

Model	Bearing Type	Rated Voltage	Operation Voltage	Current	Speed	Air Flow	Static Pressure	Noise Level	Weight
		VDC	VDC						
AV-F4015HS05	Sleeve	5	4.5~5.5	0.24	6000	6.40	3.31	26.26	21.9
AV-F4015MS05	Sleeve	5	4.5~5.5	0.18	5400	5.62	2.91	24.87	21.9
AV-F4015LS05	Sleeve	5	4.5~5.5	0.12	4200	4.48	2.32	21.13	21.9
AV-F4015HB05	Ball	5	4.5~5.5	0.24	6000	6.40	3.31	26.26	21.9
AV-F4015MB05	Ball	5	4.5~5.5	0.18	5400	5.62	2.91	24.87	21.9
AV-F4015LB05	Ball	5	4.5~5.5	0.12	4200	4.48	2.32	21.13	21.9
AV-F4015HS	Sleeve	12	10.8~13.2	0.10	6000	6.40	3.31	26.26	21.9
AV-F4015MS	Sleeve	12	10.8~13.2	0.08	5400	5.62	2.91	24.87	21.9
AV-F4015LS	Sleeve	12	10.8~13.2	0.06	4200	4.48	2.32	21.13	21.9
AV-F4015HB	Ball	12	10.8~13.2	0.10	6000	6.40	3.31	26.26	21.9
AV-F4015MB	Ball	12	10.8~13.2	0.08	5400	5.62	2.91	24.87	21.9
AV-F4015LB	Ball	12	10.8~13.2	0.06	4200	4.48	2.32	21.13	21.9



**SIZE:**

40x40x20mm

**construction:**

Glass Fiber reinforced plastic;  
Impeller and housing PBT are UL 94V-0 rating

**OPERATING TEMPERATURE:**

Sleeve bearing -10°C to +70°C

**INSULATION RESISTANCE:**

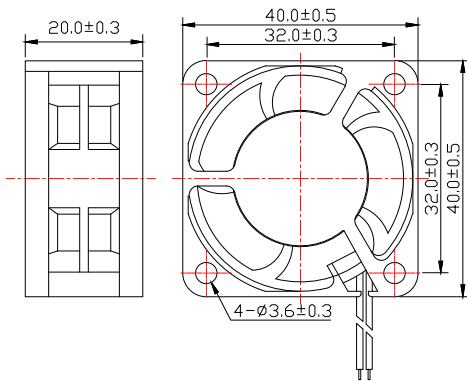
10meg Ohm min, at 500 VDC  
(between frame and terminal)

**DIELECTRIC STRENGTH:**

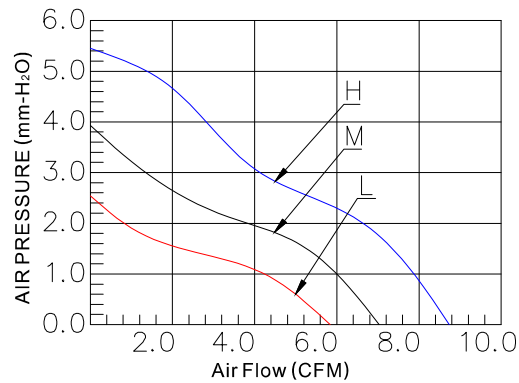
5mA max, at 500 VAC 60Hz one minute  
(between frame and terminal)

**Dimensions Drawing**

Unit:mm



**Characteristic Curves**



**Specifications**

Carton Specifications (Unit: cm):36x32x23 QTY:600pcs GW:13.83Kg

Model	Bearing Type	Rated Voltage	Operation Voltage	Current	Speed	Air Flow	Static Pressure	Noise Level	Weight
		VDC	VDC						
AV-F4020HS05	Sleeve	5	4.5~5.5	0.26	7500	8.60	5.58	33.60	21.88
AV-F4020MS05	Sleeve	5	4.5~5.5	0.20	6200	7.10	3.98	29.07	21.88
AV-F4020LS05	Sleeve	5	4.5~5.5	0.14	5000	5.70	2.54	23.46	21.88
AV-F4020HB05	Ball	5	4.5~5.5	0.26	7500	8.60	5.58	33.60	21.88
AV-F4020MB05	Ball	5	4.5~5.5	0.20	6200	7.10	3.98	29.07	21.88
AV-F4020LB05	Ball	5	4.5~5.5	0.14	5000	5.70	2.54	23.46	21.88
AV-F4020HS	Sleeve	12	10.8~13.2	0.15	7500	8.60	5.58	33.60	21.88
AV-F4020MS	Sleeve	12	10.8~13.2	0.11	6200	7.10	3.98	29.07	21.88
AV-F4020LS	Sleeve	12	10.8~13.2	0.07	5000	5.70	2.54	23.46	21.88
AV-F4020HB	Ball	12	10.8~13.2	0.15	7500	8.60	5.58	33.60	21.88
AV-F4020MB	Ball	12	10.8~13.2	0.11	6200	7.10	3.98	29.07	21.88
AV-F4020LB	Ball	12	10.8~13.2	0.07	5000	5.70	2.54	23.46	21.88

**AV-F4028**



**SIZE:**

40x40x28mm

**construction:**

Glass Fiber reinforced plastic;  
Impeller and housing PBT are UL 94V-0 rating

**OPERATING TEMPERATURE:**

Sleeve bearing -10°C to +70°C

**INSULATION RESISTANCE:**

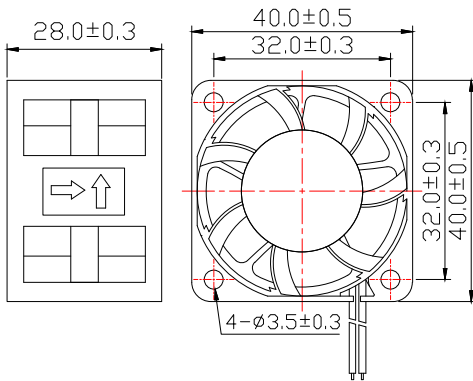
10meg Ohm min, at 500 VDC  
(between frame and terminal)

**DIELECTRIC STRENGTH:**

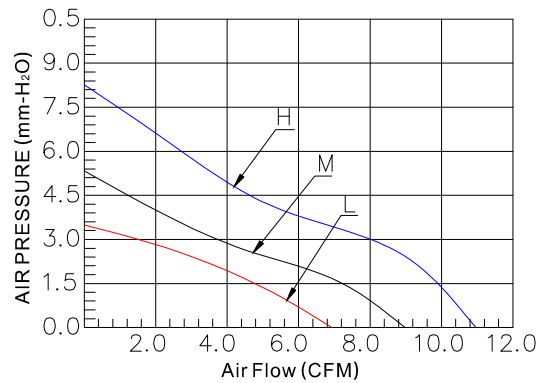
5mA max, at 500 VAC 60Hz one minute  
(between frame and terminal)

**Dimensions Drawing**

Unit:mm



**Characteristic Curves**



**Specifications**

Carton Specifications (Unit: cm):36x32x23 QTY:600pcs GW:15.83Kg

Model	Bearing Type	Rated Voltage	Operation Voltage	Current	Speed	Air Flow	Static Pressure	Noise Level	Weight
		VDC	VDC						
AV-F4028HS	Sleeve	12	10.8~13.2	0.18	8000	10.27	8.37	38.76	25
AV-F4028MS	Sleeve	12	10.8~13.2	0.15	6500	8.45	5.70	32.57	25
AV-F4028LS	Sleeve	12	10.8~13.2	0.12	5000	6.42	3.27	25.37	25
AV-F4028HB	Ball	12	10.8~13.2	0.18	8000	10.27	8.37	38.76	25
AV-F4028MB	Ball	12	10.8~13.2	0.15	6500	8.45	5.70	32.57	25
AV-F4028LB	Ball	12	10.8~13.2	0.12	5000	6.42	3.27	25.37	25
AV-F4028HS24	Sleeve	24	21.6~26.4	0.13	8000	10.27	8.37	38.76	25
AV-F4028MS24	Sleeve	24	21.6~26.4	0.08	6500	8.45	5.70	32.57	25
AV-F4028LS24	Sleeve	24	21.6~26.4	0.05	5000	6.42	3.27	25.37	25
AV-F4028HB24	Ball	24	21.6~26.4	0.13	8000	10.27	8.37	38.76	25
AV-F4028MB24	Ball	24	21.6~26.4	0.08	6500	8.45	5.70	32.57	25
AV-F4028LB24	Ball	24	21.6~26.4	0.05	5000	6.42	3.27	25.37	25



**AV-F5010**



**SIZE:**

50x50x10mm

**construction:**

Glass Fiber reinforced plastic;  
Impeller and housing PBT are UL 94V-0 rating

**OPERATING TEMPERATURE:**

Sleeve bearing -10°C to +70°C

**INSULATION RESISTANCE:**

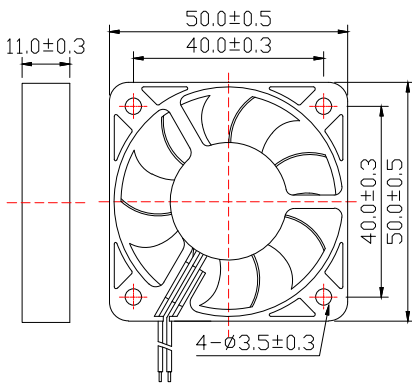
10meg Ohm min, at 500 VDC  
(between frame and terminal)

**DIELECTRIC STRENGTH:**

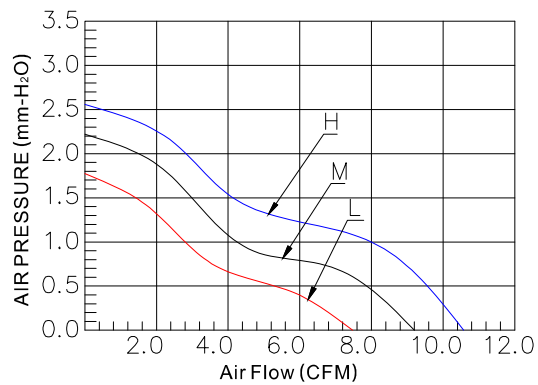
5mA max, at 500 VAC 60Hz one minute  
(between frame and terminal)

**Dimensions Drawing**

Unit:mm



**Characteristic Curves**



**Specifications**

Carton Specifications (Unit: cm):44x22x28 QTY:600pcs GW:12.75Kg

Model	Bearing Type	Rated Voltage	Operation Voltage	Current	Speed	Air Flow	Static Pressure	Noise Level	Weight
		VDC	VDC						
AV-F5010HS05	Sleeve	5	4.5~5.5	0.25	5000	10.43	2.52	28.44	20
AV-F5010MS05	Sleeve	5	4.5~5.5	0.20	4500	9.42	2.27	26.09	20
AV-F5010LS05	Sleeve	5	4.5~5.5	0.15	3500	7.30	1.77	20.82	20
AV-F5010HB05	Ball	5	4.5~5.5	0.25	5000	10.43	2.52	28.44	20
AV-F5010MB05	Ball	5	4.5~5.5	0.20	4500	9.42	2.27	26.09	20
AV-F5010LB05	Ball	5	4.5~5.5	0.15	3500	7.30	1.77	20.82	20
AV-F5010HS	Sleeve	12	10.8~13.2	0.16	5000	10.43	2.52	28.44	20
AV-F5010MS	Sleeve	12	10.8~13.2	0.12	4500	9.42	2.27	26.09	20
AV-F5010LS	Sleeve	12	10.8~13.2	0.08	3500	7.30	1.77	20.82	20
AV-F5010HB	Ball	12	10.8~13.2	0.16	5000	10.43	2.52	28.44	20
AV-F5010MB	Ball	12	10.8~13.2	0.12	4500	9.42	2.27	26.09	20
AV-F5010LB	Ball	12	10.8~13.2	0.08	3500	7.30	1.77	20.82	20



**SIZE:**

50x50x15mm

**construction:**

Glass Fiber reinforced plastic;  
Impeller and housing PBT are UL 94V-0 rating

**OPERATING TEMPERATURE:**

Sleeve bearing -10°C to +70°C

**INSULATION RESISTANCE:**

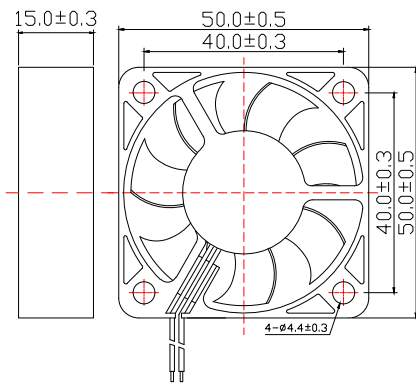
10meg Ohm min, at 500 VDC  
(between frame and terminal)

**DIELECTRIC STRENGTH:**

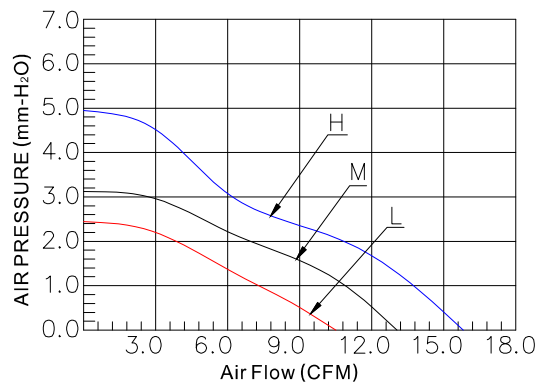
5mA max, at 500 VAC 60Hz one minute  
(between frame and terminal)

**Dimensions Drawing**

Unit:mm



**Characteristic Curves**



**Specifications**

Carton Specifications (Unit: cm):44x32x28 QTY:800pcs GW:19.63Kg

Model	Bearing Type	Rated Voltage	Operation Voltage	Current	Speed	Air Flow	Static Pressure	Noise Level	Weight
		VDC	VDC						
AV-F5015HS05	Sleeve	5	4.5~5.5	0.30	5500	16.50	4.58	36.42	23.6
AV-F5015MS05	Sleeve	5	4.5~5.5	0.23	4500	13.94	3.04	31.74	23.6
AV-F5015LS05	Sleeve	5	4.5~5.5	0.17	3500	10.85	2.25	29.39	23.6
AV-F5015HB05	Ball	5	4.5~5.5	0.30	5500	16.50	4.58	36.42	23.6
AV-F5015MB05	Ball	5	4.5~5.5	0.23	4500	13.94	3.04	31.74	23.6
AV-F5015LB05	Ball	5	4.5~5.5	0.17	3500	10.85	2.25	29.39	23.6
AV-F5015HS	Sleeve	12	10.8~13.2	0.16	5500	16.50	4.58	36.42	23.6
AV-F5015MS	Sleeve	12	10.8~13.2	0.12	4500	13.94	3.04	31.74	23.6
AV-F5015LS	Sleeve	12	10.8~13.2	0.08	3500	10.85	2.25	29.39	23.6
AV-F5015HB	Ball	12	10.8~13.2	0.16	5500	16.50	4.58	36.42	23.6
AV-F5015MB	Ball	12	10.8~13.2	0.12	4500	13.94	3.04	31.74	23.6
AV-F5015LB	Ball	12	10.8~13.2	0.08	3500	10.85	2.25	29.39	23.6



**SIZE:**

50x50x20mm

**construction:**

Glass Fiber reinforced plastic;  
Impeller and housing PBT are UL 94V-0 rating

**OPERATING TEMPERATURE:**

Sleeve bearing -10°C to +70°C

**INSULATION RESISTANCE:**

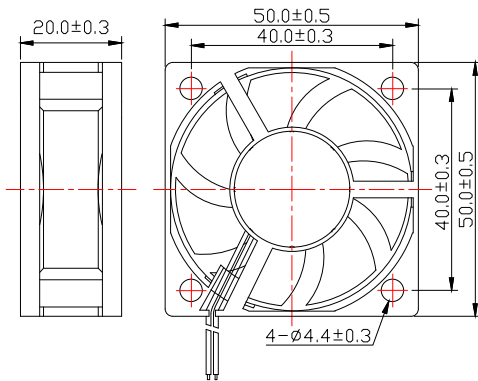
10meg Ohm min, at 500 VDC  
(between frame and terminal)

**DIELECTRIC STRENGTH:**

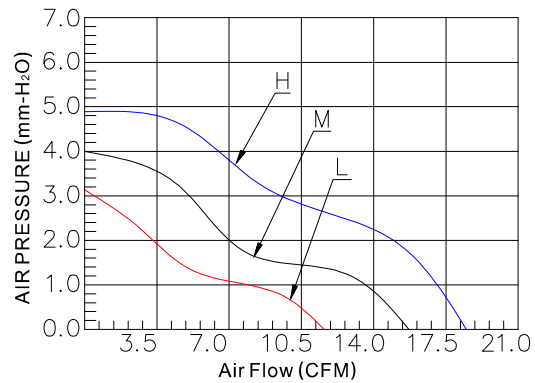
5mA max, at 500 VAC 60Hz one minute  
(between frame and terminal)

**Dimensions Drawing**

Unit:mm



**Characteristic Curves**



**Specifications**

Carton Specifications (Unit: cm):43x32x28 QTY:600pcs GW:21.75Kg

Model	Bearing Type	Rated Voltage	Operation Voltage	Current	Speed	Air Flow	Static Pressure	Noise Level	Weight
		VDC	VDC						
AV-F5020HS05	Sleeve	5	4.5~5.5	0.32	5500	18.33	4.89	35.20	35
AV-F5020MS05	Sleeve	5	4.5~5.5	0.26	4500	14.99	4.00	28.80	35
AV-F5020LS05	Sleeve	5	4.5~5.5	0.18	3500	11.66	3.11	22.40	35
AV-F5020HB05	Ball	5	4.5~5.5	0.32	5500	18.33	4.89	35.20	35
AV-F5020MB05	Ball	5	4.5~5.5	0.26	4500	14.99	4.00	28.80	35
AV-F5020LB05	Ball	5	4.5~5.5	0.18	3500	11.66	3.11	22.40	35
AV-F5020HS	Sleeve	12	10.8~13.2	0.20	5500	18.33	4.89	35.20	35
AV-F5020MS	Sleeve	12	10.8~13.2	0.15	4500	14.99	4.00	28.80	35
AV-F5020LS	Sleeve	12	10.8~13.2	0.09	3500	11.66	3.11	22.40	35
AV-F5020HB	Ball	12	10.8~13.2	0.20	5500	18.33	4.89	35.20	35
AV-F5020MB	Ball	12	10.8~13.2	0.15	4500	14.99	4.00	28.80	35
AV-F5020LB	Ball	12	10.8~13.2	0.09	3500	11.66	3.11	22.40	35



**SIZE:**

60x60x10mm

**construction:**

Glass Fiber reinforced plastic;  
Impeller and housing PBT are UL 94V-0 rating

**OPERATING TEMPERATURE:**

Sleeve bearing -10°C to +70°C

**INSULATION RESISTANCE:**

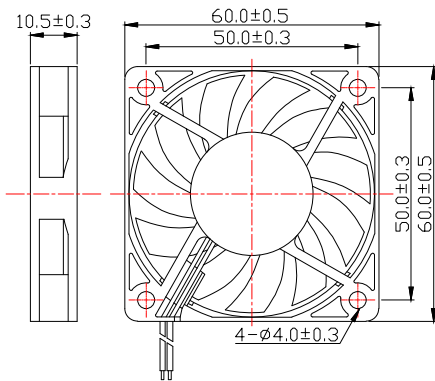
10meg Ohm min, at 500 VDC  
(between frame and terminal)

**DIELECTRIC STRENGTH:**

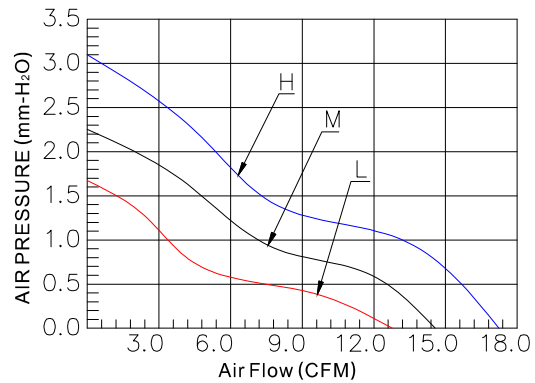
5mA max, at 500 VAC 60Hz one minute  
(between frame and terminal)

**Dimensions Drawing**

Unit:mm



**Characteristic Curves**



**Specifications**

Carton Specifications (Unit: cm):33x25.5x33 QTY:500pcs GW:11.25Kg

Model	Bearing Type	Rated Voltage	Operation Voltage	Current	Speed	Air Flow	Static Pressure	Noise Level	Weight
		VDC	VDC						
AV-F6010HS05	Sleeve	5	4.5~5.5	0.35	4000	17.17	3.15	28.86	21
AV-F6010MS05	Sleeve	5	4.5~5.5	0.30	3500	14.78	2.38	26.38	21
AV-F6010LS05	Sleeve	5	4.5~5.5	0.25	3000	12.30	1.67	23.33	21
AV-F6010HB05	Ball	5	4.5~5.5	0.35	4000	17.17	3.15	28.86	21
AV-F6010MB05	Ball	5	4.5~5.5	0.30	3500	14.78	2.38	26.38	21
AV-F6010LB05	Ball	5	4.5~5.5	0.25	3000	12.30	1.67	23.33	21
AV-F6010HS	Sleeve	12	10.8~13.2	0.23	4000	17.17	3.15	28.86	21
AV-F6010MS	Sleeve	12	10.8~13.2	0.17	3500	14.78	2.38	26.38	21
AV-F6010LS	Sleeve	12	10.8~13.2	0.13	3000	12.30	1.67	23.33	21
AV-F6010HB	Ball	12	10.8~13.2	0.23	4000	17.17	3.15	28.86	21
AV-F6010MB	Ball	12	10.8~13.2	0.17	3500	14.78	2.38	26.38	21
AV-F6010LB	Ball	12	10.8~13.2	0.13	3000	12.30	1.67	23.33	21



**SIZE:**

60x60x15mm

**construction:**

Glass Fiber reinforced plastic;  
Impeller and housing PBT are UL 94V-0 rating

**OPERATING TEMPERATURE:**

Sleeve bearing -10°C to +70°C

**INSULATION RESISTANCE:**

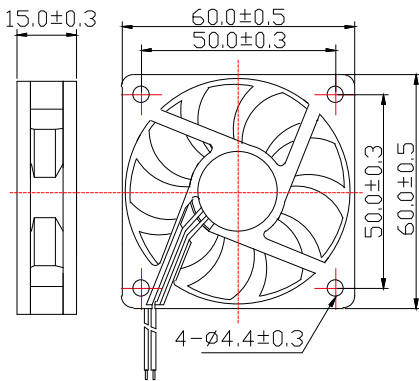
10meg Ohm min, at 500 VDC  
(between frame and terminal)

**DIELECTRIC STRENGTH:**

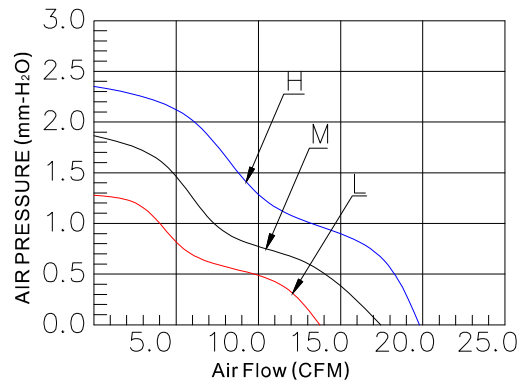
5mA max, at 500 VAC 60Hz one minute  
(between frame and terminal)

**| Dimensions Drawing**

Unit:mm



**| Characteristic Curves**



**| Specifications**

Carton Specifications (Unit: cm):40x32x32 QTY:600pcs GW:21.75Kg

Model	Bearing Type	Rated Voltage	Operation Voltage	Current	Speed	Air Flow	Static Pressure	Noise Level	Weight
		VDC	VDC						
AV-F6015HS05	Sleeve	5	4.5~5.5	0.26	4000	19.83	2.35	34.63	35.6
AV-F6015MS05	Sleeve	5	4.5~5.5	0.20	3500	17.58	1.85	30.69	35.6
AV-F6015LS05	Sleeve	5	4.5~5.5	0.14	3000	14.67	1.27	28.54	35.6
AV-F6015HB05	Ball	5	4.5~5.5	0.26	4000	19.83	2.35	34.63	35.6
AV-F6015MB05	Ball	5	4.5~5.5	0.20	3500	17.58	1.85	30.69	35.6
AV-F6015LB05	Ball	5	4.5~5.5	0.14	3000	14.67	1.27	28.54	35.6
AV-F6015HS	Sleeve	12	10.8~13.2	0.15	4000	19.83	2.35	34.63	35.6
AV-F6015MS	Sleeve	12	10.8~13.2	0.13	3500	17.58	1.85	30.69	35.6
AV-F6015LS	Sleeve	12	10.8~13.2	0.11	3000	14.67	1.27	28.54	35.6
AV-F6015HB	Ball	12	10.8~13.2	0.15	4000	19.83	2.35	34.63	35.6
AV-F6015MB	Ball	12	10.8~13.2	0.13	3500	17.58	1.85	30.69	35.6
AV-F6015LB	Ball	12	10.8~13.2	0.11	3000	14.67	1.27	28.54	35.6



**SIZE:**

60x60x20mm

**construction:**

Glass Fiber reinforced plastic;  
Impeller and housing PBT are UL 94V-0 rating

**OPERATING TEMPERATURE:**

Sleeve bearing -10°C to +70°C

**INSULATION RESISTANCE:**

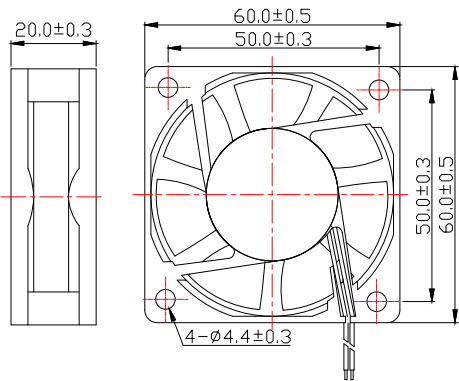
10meg Ohm min, at 500 VDC  
(between frame and terminal)

**DIELECTRIC STRENGTH:**

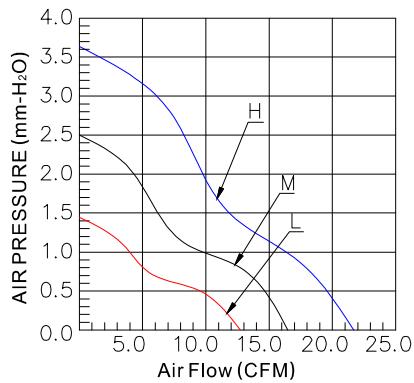
5mA max, at 500 VAC 60Hz one minute  
(between frame and terminal)

**Dimensions Drawing**

Unit:mm



**Characteristic Curves**



**Specifications**

Carton Specifications (Unit: cm):40x22x32 QTY:300pcs GW:13.5Kg

Model	Bearing Type	Rated Voltage	Operation Voltage	Current	Speed	Air Flow	Static Pressure	Noise Level	Weight
		VDC	VDC						
AV-F6020HS	Sleeve	12	10.8~13.2	0.15	4000	20.28	3.65	29.04	42.5
AV-F6020MS	Sleeve	12	10.8~13.2	0.10	3300	16.50	2.50	23.85	42.5
AV-F6020LS	Sleeve	12	10.8~13.2	0.07	2500	12.31	1.45	21.35	42.5
AV-F6020HB	Ball	12	10.8~13.2	0.15	4000	20.28	3.65	29.04	42.5
AV-F6020MB	Ball	12	10.8~13.2	0.10	3300	16.50	2.50	23.85	42.5
AV-F6020LB	Ball	12	10.8~13.2	0.07	2500	12.31	1.45	21.35	42.5
AV-F6020HS24	Sleeve	24	21.6~26.4	0.12	4000	20.28	3.65	29.04	42.5
AV-F6020MS24	Sleeve	24	21.6~26.4	0.08	3300	16.50	2.50	23.85	42.5
AV-F6020LS24	Sleeve	24	21.6~26.4	0.05	2500	12.31	1.45	21.35	42.5
AV-F6020HB24	Ball	24	21.6~26.4	0.12	4000	20.28	3.65	29.04	42.5
AV-F6020MB24	Ball	24	21.6~26.4	0.08	3300	16.50	2.50	23.85	42.5
AV-F6020LB24	Ball	24	21.6~26.4	0.05	2500	12.31	1.45	21.35	42.5



**SIZE:**

60x60x25mm

**construction:**

Glass Fiber reinforced plastic;  
Impeller and housing PBT are UL 94V-0 rating

**OPERATING TEMPERATURE:**

Sleeve bearing -10°C to +70°C

**INSULATION RESISTANCE:**

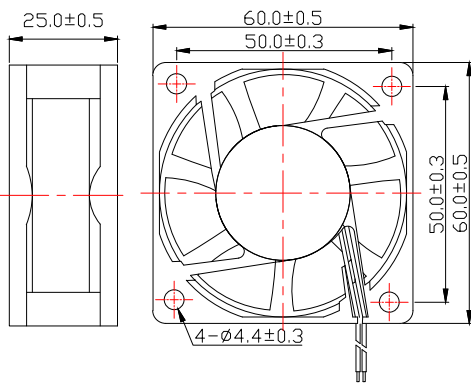
10meg Ohm min, at 500 VDC  
(between frame and terminal)

**DIELECTRIC STRENGTH:**

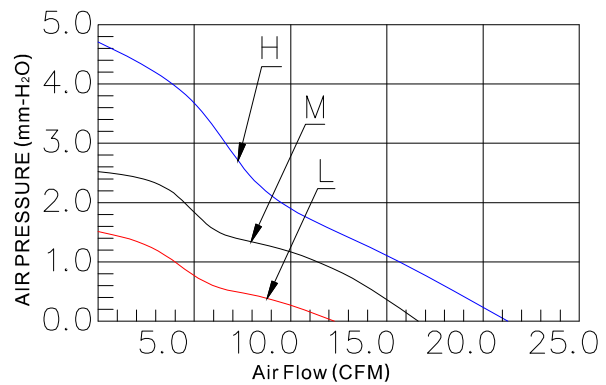
5mA max, at 500 VAC 60Hz one minute  
(between frame and terminal)

**Dimensions Drawing**

Unit:mm



**Characteristic Curves**



**Specifications**

Carton Specifications (Unit: cm):33x32x32 QTY:300pcs GW:15.5Kg

Model	Bearing Type	Rated Voltage	Operation Voltage	Current	Speed	Air Flow	Static Pressure	Noise Level	Weight
		VDC	VDC						
AV-F6025HS	Sleeve	12	10.8~13.2	0.14	4000	21.08	4.70	29.32	49.2
AV-F6025MS	Sleeve	12	10.8~13.2	0.11	3300	17.41	2.56	24.64	49.2
AV-F6025LS	Sleeve	12	10.8~13.2	0.08	2500	13.21	1.15	21.05	49.2
AV-F6025HB	Ball	12	10.8~13.2	0.14	4000	21.08	4.70	29.32	49.2
AV-F6025MB	Ball	12	10.8~13.2	0.11	3300	17.41	2.56	24.64	49.2
AV-F6025LB	Ball	12	10.8~13.2	0.08	2500	13.21	1.15	21.05	49.2
AV-F6025HS24	Sleeve	24	21.6~26.4	0.10	4000	21.08	4.70	29.32	49.2
AV-F6025MS24	Sleeve	24	21.6~26.4	0.08	3300	17.41	2.56	24.64	49.2
AV-F6025LS24	Sleeve	24	21.6~26.4	0.06	2500	13.21	1.15	21.05	49.2
AV-F6025HB24	Ball	24	21.6~26.4	0.10	4000	21.08	4.70	29.32	49.2
AV-F6025MB24	Ball	24	21.6~26.4	0.08	3300	17.41	2.56	24.64	49.2
AV-F6025LB24	Ball	24	21.6~26.4	0.06	2500	13.21	1.15	21.05	49.2



**SIZE:**

70x70x10mm

**construction:**

Glass Fiber reinforced plastic;  
Impeller and housing PBT are UL 94V-0 rating

**OPERATING TEMPERATURE:**

Sleeve bearing -10°C to +70°C

**INSULATION RESISTANCE:**

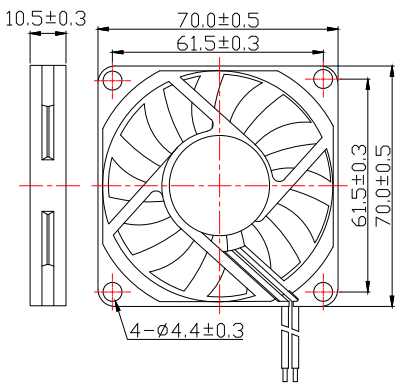
10meg Ohm min, at 500 VDC  
(between frame and terminal)

**DIELECTRIC STRENGTH:**

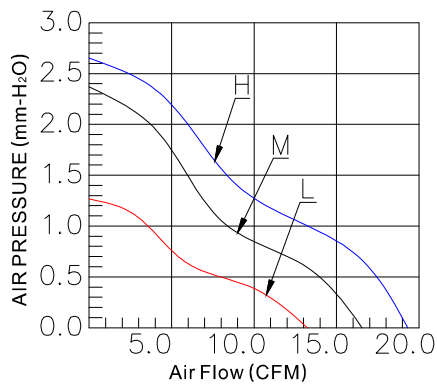
5mA max, at 500 VAC 60Hz one minute  
(between frame and terminal)

**Dimensions Drawing**

Unit:mm



**Characteristic Curves**



**Specifications**

Carton Specifications (Unit: cm):31x29x36.5 QTY:500pcs GW:12.85Kg

Model	Bearing Type	Rated Voltage	Operation Voltage	Current	Speed	Air Flow	Static Pressure	Noise Level	Weight
		VDC	VDC						
AV-F7010HS	Sleeve	12	10.8~13.2	0.21	3500	19.13	2.65	32.60	24.2
AV-F7010MS	Sleeve	12	10.8~13.2	0.14	3000	16.39	2.48	27.95	24.2
AV-F7010LS	Sleeve	12	10.8~13.2	0.10	2500	13.31	1.28	23.86	24.2
AV-F7010HB	Ball	12	10.8~13.2	0.21	3500	19.13	2.65	32.60	24.2
AV-F7010MB	Ball	12	10.8~13.2	0.14	3000	16.39	2.48	27.95	24.2
AV-F7010LB	Ball	12	10.8~13.2	0.10	2500	13.31	1.28	23.86	24.2
AV-F7010HS24	Sleeve	24	21.6~26.4	0.13	3500	19.13	2.65	32.60	24.2
AV-F7010MS24	Sleeve	24	21.6~26.4	0.11	3000	16.39	2.48	27.95	24.2
AV-F7010LS24	Sleeve	24	21.6~26.4	0.08	2500	13.31	1.28	23.86	24.2
AV-F7010HB24	Ball	24	21.6~26.4	0.13	3500	19.13	2.65	32.60	24.2
AV-F7010MB24	Ball	24	21.6~26.4	0.11	3000	16.39	2.48	27.95	24.2
AV-F7010LB24	Ball	24	21.6~26.4	0.08	2500	13.31	1.28	23.86	24.2





**SIZE:**

70x70x15mm

**construction:**

Glass Fiber reinforced plastic;  
Impeller and housing PBT are UL 94V-0 rating

**OPERATING TEMPERATURE:**

Sleeve bearing -10°C to +70°C

**INSULATION RESISTANCE:**

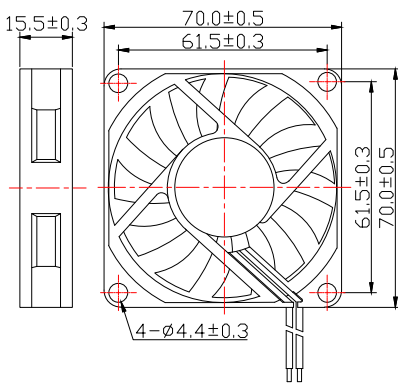
10meg Ohm min, at 500 VDC  
(between frame and terminal)

**DIELECTRIC STRENGTH:**

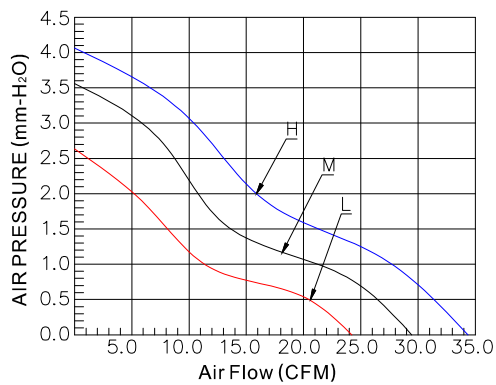
5mA max, at 500 VAC 60Hz one minute  
(between frame and terminal)

**Dimensions Drawing**

Unit:mm



**Characteristic Curves**



**Specifications**

Carton Specifications (Unit: cm):38x32x37 QTY:500pcs GW:21.8Kg

Model	Bearing Type	Rated Voltage	Operation Voltage	Current	Speed	Air Flow	Static Pressure	Noise Level	Weight
		VDC	VDC						
AV-F7015HS	Sleeve	12	10.8~13.2	0.30	4000	34.18	4.03	31.66	42.1
AV-F7015MS	Sleeve	12	10.8~13.2	0.25	3600	29.40	3.53	31.08	42.1
AV-F7015LS	Sleeve	12	10.8~13.2	0.20	3000	24.42	2.62	27.20	42.1
AV-F7015HB	Ball	12	10.8~13.2	0.30	4000	34.18	4.03	31.66	42.1
AV-F7015MB	Ball	12	10.8~13.2	0.25	3600	29.40	3.53	31.08	42.1
AV-F7015LB	Ball	12	10.8~13.2	0.20	3000	24.42	2.62	27.20	42.1
AV-F7015HS24	Sleeve	24	21.6~26.4	0.14	4000	34.18	4.03	31.66	42.1
AV-F7015MS24	Sleeve	24	21.6~26.4	0.11	3600	29.40	3.53	31.08	42.1
AV-F7015LS24	Sleeve	24	21.6~26.4	0.08	3000	24.42	2.62	27.20	42.1
AV-F7015HB24	Ball	24	21.6~26.4	0.14	4000	34.18	4.03	31.66	42.1
AV-F7015MB24	Ball	24	21.6~26.4	0.11	3600	29.40	3.53	31.08	42.1
AV-F7015LB24	Ball	24	21.6~26.4	0.08	3000	24.42	2.62	27.20	42.1



**SIZE:**

70x70x25mm

**construction:**

Glass Fiber reinforced plastic;  
Impeller and housing PBT are UL 94V-0 rating

**OPERATING TEMPERATURE:**

Sleeve bearing -10°C to +70°C

**INSULATION RESISTANCE:**

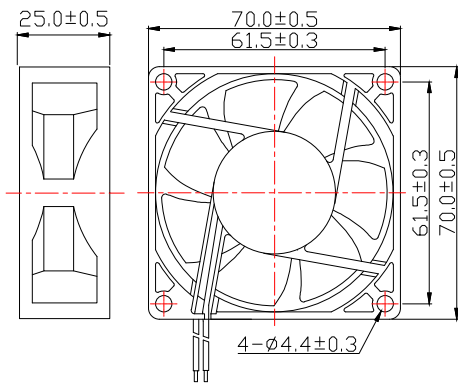
10meg Ohm min, at 500 VDC  
(between frame and terminal)

**DIELECTRIC STRENGTH:**

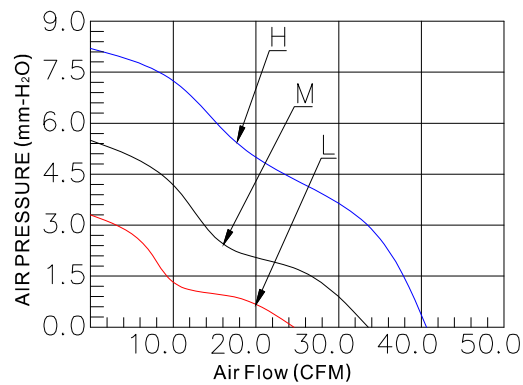
5mA max, at 500 VAC 60Hz one minute  
(between frame and terminal)

**Dimensions Drawing**

Unit:mm



**Characteristic Curves**



**Specifications**

Carton Specifications (Unit: cm):37x26x30 QTY:200pcs GW:12.64Kg

Model	Bearing Type	Rated Voltage	Operation Voltage	Current	Speed	Air Flow	Static Pressure	Noise Level	Weight
		VDC	VDC						
AV-F7025HS	Sleeve	12	10.8~13.2	0.30	4000	40.32	7.71	36.86	59.3
AV-F7025MS	Sleeve	12	10.8~13.2	0.20	3400	31.53	4.95	29.49	59.3
AV-F7025LS	Sleeve	12	10.8~13.2	0.15	3000	23.72	3.10	24.84	59.3
AV-F7025HB	Ball	12	10.8~13.2	0.30	4000	40.32	7.71	36.86	59.3
AV-F7025MB	Ball	12	10.8~13.2	0.20	3400	31.53	4.95	29.49	59.3
AV-F7025LB	Ball	12	10.8~13.2	0.15	3000	23.72	3.10	24.84	59.3
AV-F7025HS24	Sleeve	24	21.6~26.4	0.20	4000	40.32	7.71	36.86	59.3
AV-F7025MS24	Sleeve	24	21.6~26.4	0.11	3400	31.53	4.95	29.49	59.3
AV-F7025LS24	Sleeve	24	21.6~26.4	0.08	3000	23.72	3.10	24.84	59.3
AV-F7025HB24	Ball	24	21.6~26.4	0.20	4000	40.32	7.71	36.86	59.3
AV-F7025MB24	Ball	24	21.6~26.4	0.11	3400	31.53	4.95	29.49	59.3
AV-F7025LB24	Ball	24	21.6~26.4	0.08	3000	23.72	3.10	24.84	59.3



**SIZE:**

80x80x10mm

**construction:**

Glass Fiber reinforced plastic;  
Impeller and housing PBT are UL 94V-0 rating

**OPERATING TEMPERATURE:**

Sleeve bearing -10°C to +70°C

**INSULATION RESISTANCE:**

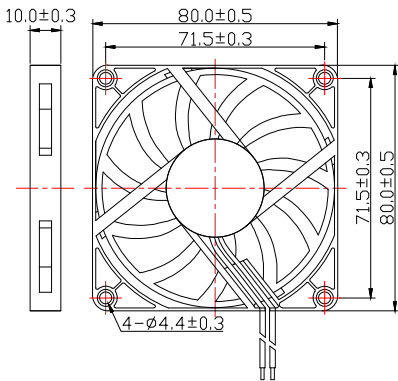
10meg Ohm min, at 500 VDC  
(between frame and terminal)

**DIELECTRIC STRENGTH:**

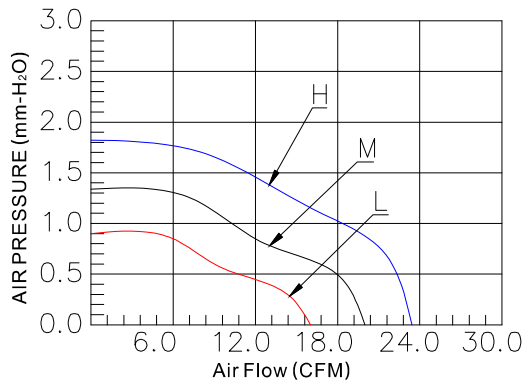
5mA max, at 500 VAC 60Hz one minute  
(between frame and terminal)

**Dimensions Drawing**

Unit:mm



**Characteristic Curves**



**Specifications**

Carton Specifications (Unit: cm):43x22x34 QTY:400pcs GW:13.55Kg

Model	Bearing Type	Rated Voltage	Operation Voltage	Current	Speed	Air Flow	Static Pressure	Noise Level	Weight
		VDC	VDC						
AV-F8010HS05	Sleeve	5	4.5~5.5	0.35	3000	23.45	1.81	30.75	32
AV-F8010MS05	Sleeve	5	4.5~5.5	0.25	2500	19.68	1.31	26.25	32
AV-F8010LS05	Sleeve	5	4.5~5.5	0.17	2000	15.58	0.09	22.08	32
AV-F8010HB05	Ball	5	4.5~5.5	0.35	3000	23.45	1.81	30.75	32
AV-F8010MB05	Ball	5	4.5~5.5	0.25	2500	19.68	1.31	26.25	32
AV-F8010LB05	Ball	5	4.5~5.5	0.17	2000	15.58	0.09	22.08	32
AV-F8010HS	Sleeve	12	10.8~13.2	0.24	3000	23.45	1.81	30.75	32
AV-F8010MS	Sleeve	12	10.8~13.2	0.18	2500	19.68	1.31	26.25	32
AV-F8010LS	Sleeve	12	10.8~13.2	0.12	2000	15.58	0.09	22.08	32
AV-F8010HB	Ball	12	10.8~13.2	0.24	3000	23.45	1.81	30.75	32
AV-F8010MB	Ball	12	10.8~13.2	0.18	2500	19.68	1.31	26.25	32
AV-F8010LB	Ball	12	10.8~13.2	0.12	2000	15.58	0.09	22.08	32



**SIZE:**

80x80x15mm

**construction:**

Glass Fiber reinforced plastic;  
Impeller and housing PBT are UL 94V-0 rating

**OPERATING TEMPERATURE:**

Sleeve bearing -10°C to +70°C

**INSULATION RESISTANCE:**

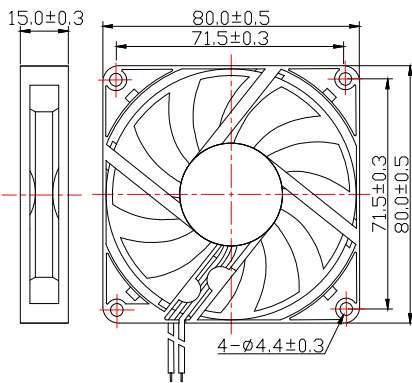
10meg Ohm min, at 500 VDC  
(between frame and terminal)

**DIELECTRIC STRENGTH:**

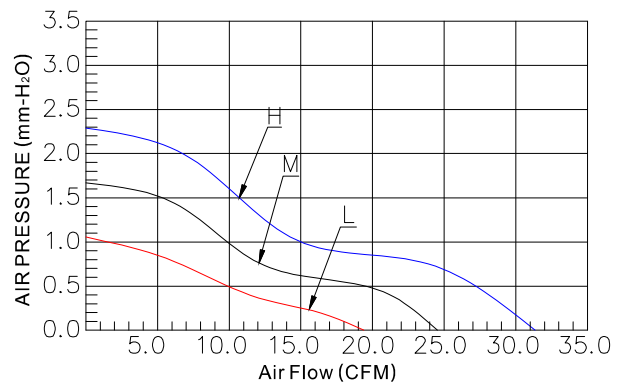
5mA max, at 500 VAC 60Hz one minute  
(between frame and terminal)

**Dimensions Drawing**

Unit:mm



**Characteristic Curves**



**Specifications**

Carton Specifications (Unit: cm):43x32x34 QTY:400pcs GW:19.35Kg

Model	Bearing Type	Rated Voltage	Operation Voltage	Current	Speed	Air Flow	Static Pressure	Noise Level	Weight
		VDC	VDC						
AV-F8015HS05	Sleeve	5	4.5~5.5	0.35	3000	30.16	2.38	34.57	46.5
AV-F8015MS05	Sleeve	5	4.5~5.5	0.28	2500	24.89	1.69	29.80	46.5
AV-F8015LS05	Sleeve	5	4.5~5.5	0.20	2000	18.99	1.03	24.15	46.5
AV-F8015HB05	Ball	5	4.5~5.5	0.35	3000	30.16	2.38	34.57	46.5
AV-F8015MB05	Ball	5	4.5~5.5	0.28	2500	24.89	1.69	29.80	46.5
AV-F8015LB05	Ball	5	4.5~5.5	0.20	2000	18.99	1.03	24.15	46.5
AV-F8015HS12	Sleeve	12	10.8~13.2	0.20	3000	30.16	2.38	34.57	46.5
AV-F8015MS12	Sleeve	12	10.8~13.2	0.15	2500	24.89	1.69	29.80	46.5
AV-F8015LS12	Sleeve	12	10.8~13.2	0.10	2000	18.99	1.03	24.15	46.5
AV-F8015HB12	Ball	12	10.8~13.2	0.20	3000	30.16	2.38	34.57	46.5
AV-F8015MB12	Ball	12	10.8~13.2	0.15	2500	24.89	1.69	29.80	46.5
AV-F8015LB12	Ball	12	10.8~13.2	0.10	2000	18.99	1.03	24.15	46.5



**SIZE:**

80x80x20mm

**construction:**

Glass Fiber reinforced plastic;  
Impeller and housing PBT are UL 94V-0 rating

**OPERATING TEMPERATURE:**

Sleeve bearing -10°C to +70°C

**INSULATION RESISTANCE:**

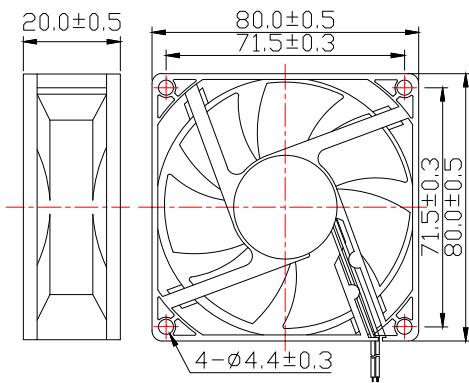
10meg Ohm min, at 500 VDC  
(between frame and terminal)

**DIELECTRIC STRENGTH:**

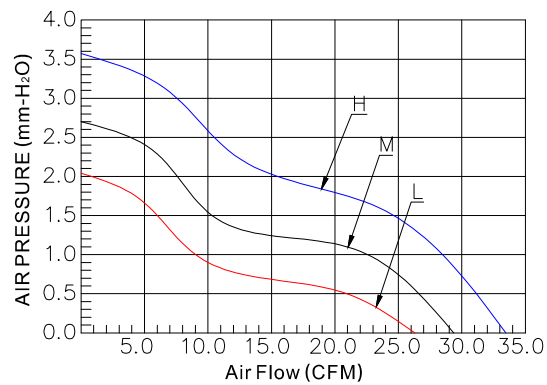
5mA max, at 500 VAC 60Hz one minute  
(between frame and terminal)

**Dimensions Drawing**

Unit:mm



**Characteristic Curves**



**Specifications**

Carton Specifications (Unit: cm):43x32x34 QTY:300pcs GW:19.14Kg

Model	Bearing Type	Rated Voltage	Operation Voltage	Current	Speed	Air Flow	Static Pressure	Noise Level	Weight
		VDC	VDC						
AV-F8020HS	Sleeve	12	10.8~13.2	0.20	3200	33.95	3.55	30.67	61.3
AV-F8020MS	Sleeve	12	10.8~13.2	0.15	2800	29.29	2.70	26.95	61.3
AV-F8020LS	Sleeve	12	10.8~13.2	0.10	2400	25.15	2.03	23.62	61.3
AV-F8020HB	Ball	12	10.8~13.2	0.20	3200	33.95	3.55	30.67	61.3
AV-F8020MB	Ball	12	10.8~13.2	0.15	2800	29.29	2.70	26.95	61.3
AV-F8020LB	Ball	12	10.8~13.2	0.10	2400	25.15	2.03	23.62	61.3
AV-F8020HS24	Sleeve	24	21.6~26.4	0.11	3200	33.95	3.55	30.67	61.3
AV-F8020MS24	Sleeve	24	21.6~26.4	0.09	2800	29.29	2.70	26.95	61.3
AV-F8020LS24	Sleeve	24	21.6~26.4	0.07	2400	25.15	2.03	23.62	61.3
AV-F8020HB24	Ball	24	21.6~26.4	0.11	3200	33.95	3.55	30.67	61.3
AV-F8020MB24	Ball	24	21.6~26.4	0.09	2800	29.29	2.70	26.95	61.3
AV-F8020LB24	Ball	24	21.6~26.4	0.07	2400	25.15	2.03	23.62	61.3

**AV-F8025**



**SIZE:**

80x80x25mm

**construction:**

Glass Fiber reinforced plastic;  
Impeller and housing PBT are UL 94V-0 rating

**OPERATING TEMPERATURE:**

Sleeve bearing -10°C to +70°C

**INSULATION RESISTANCE:**

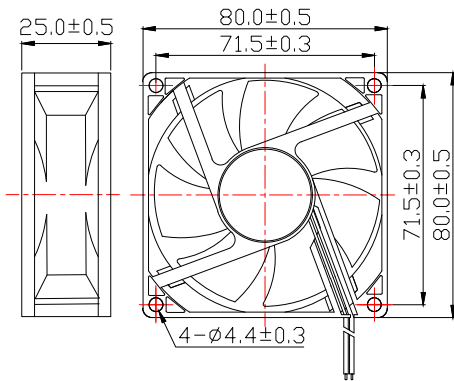
10meg Ohm min, at 500 VDC  
(between frame and terminal)

**DIELECTRIC STRENGTH:**

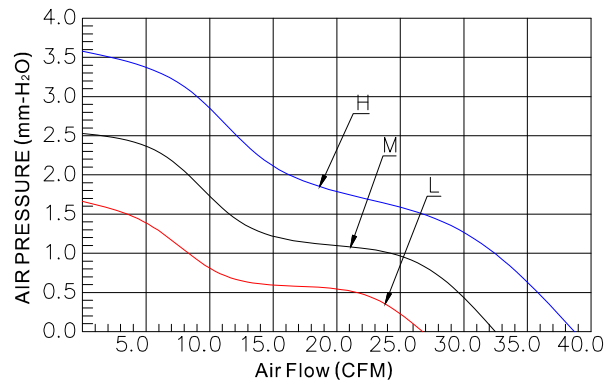
5mA max, at 500 VAC 60Hz one minute  
(between frame and terminal)

**Dimensions Drawing**

Unit:mm



**Characteristic Curves**



**Specifications**

Carton Specifications (Unit: cm):41.3x27x34 QTY:200pcs GW:12.93Kg

Model	Bearing Type	Rated Voltage	Operation Voltage	Current	Speed	Air Flow	Static Pressure	Noise Level	Weight
		VDC	VDC	A	RPM	CFM	mmH <sub>2</sub> O	dBA	g
AV-F8025HS	Sleeve	12	10.8~13.2	0.35	4000	38.88	3.54	32.31	60.9
AV-F8025MS	Sleeve	12	10.8~13.2	0.20	3000	32.37	2.52	27.85	60.9
AV-F8025LS	Sleeve	12	10.8~13.2	0.08	2000	25.64	1.64	22.05	60.9
AV-F8025HB	Ball	12	10.8~13.2	0.35	4000	38.88	3.54	32.31	60.9
AV-F8025MB	Ball	12	10.8~13.2	0.20	3000	32.37	2.52	27.85	60.9
AV-F8025LB	Ball	12	10.8~13.2	0.08	2000	25.64	1.64	22.05	60.9
AV-F8025HS24	Sleeve	24	21.6~26.4	0.25	4000	38.88	3.54	32.31	60.9
AV-F8025MS24	Sleeve	24	21.6~26.4	0.15	3000	32.37	2.52	27.85	60.9
AV-F8025LS24	Sleeve	24	21.6~26.4	0.07	2000	25.64	1.64	22.05	60.9
AV-F8025HB24	Ball	24	21.6~26.4	0.25	4000	38.88	3.54	32.31	60.9
AV-F8025MB24	Ball	24	21.6~26.4	0.15	3000	32.37	2.52	27.85	60.9
AV-F8025LB24	Ball	24	21.6~26.4	0.07	2000	25.64	1.64	22.05	60.9



**SIZE:**

92x92x25mm

**construction:**

Glass Fiber reinforced plastic;  
Impeller and housing PBT are UL 94V-0 rating

**OPERATING TEMPERATURE:**

Sleeve bearing -10°C to +70°C

**INSULATION RESISTANCE:**

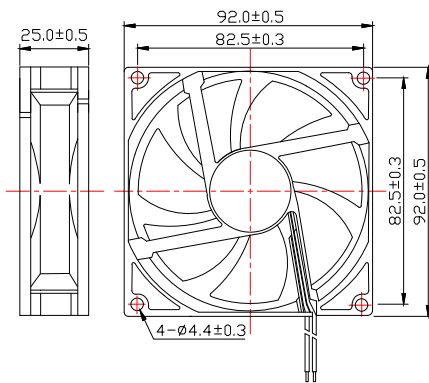
10meg Ohm min, at 500 VDC  
(between frame and terminal)

**DIELECTRIC STRENGTH:**

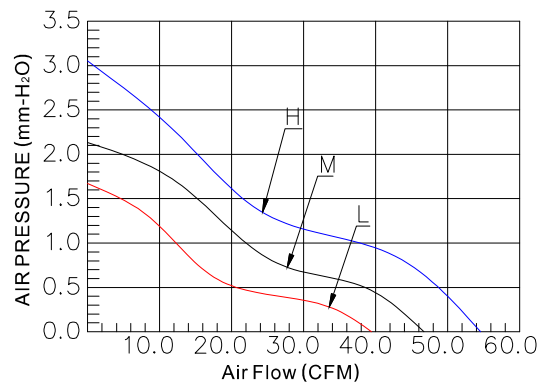
5mA max, at 500 VAC 60Hz one minute  
(between frame and terminal)

**| Dimensions Drawing**

Unit:mm



**| Characteristic Curves**



**| Specifications**

Carton Specifications (Unit: cm):49x26x40 QTY:200pcs GW:14.75Kg

Model	Bearing Type	Rated Voltage	Operation Voltage	Current	Speed	Air Flow	Static Pressure	Noise Level	Weight
		VDC	VDC	A	RPM	CFM	mmH <sub>2</sub> O	dBA	g
AV-F9225HS	Sleeve	12	10.8~13.2	0.35	4000	54.73	3.04	32.81	70
AV-F9225MS	Sleeve	12	10.8~13.2	0.25	3000	46.46	2.11	28.58	70
AV-F9225LS	Sleeve	12	10.8~13.2	0.16	2000	39.87	1.67	25.87	70
AV-F9225HB	Ball	12	10.8~13.2	0.35	4000	54.73	3.04	32.81	70
AV-F9225MB	Ball	12	10.8~13.2	0.25	3000	46.46	2.11	28.58	70
AV-F9225LB	Ball	12	10.8~13.2	0.16	2000	39.87	1.67	25.87	70
AV-F9225HS24	Sleeve	24	21.6~26.4	0.25	4000	54.73	3.04	32.81	70
AV-F9225MS24	Sleeve	24	21.6~26.4	0.20	3000	46.46	2.11	28.58	70
AV-F9225LS24	Sleeve	24	21.6~26.4	0.07	2000	39.87	1.67	25.87	70
AV-F9225HB24	Ball	24	21.6~26.4	0.25	4000	54.73	3.04	32.81	70
AV-F9225MB24	Ball	24	21.6~26.4	0.20	3000	46.46	2.11	28.58	70
AV-F9225LB24	Ball	24	21.6~26.4	0.07	2000	39.87	1.67	25.87	70



**SIZE:**

92x92x38mm

**construction:**

Glass Fiber reinforced plastic;  
Impeller and housing PBT are UL 94V-0 rating

**OPERATING TEMPERATURE:**

Sleeve bearing -10°C to +70°C

**INSULATION RESISTANCE:**

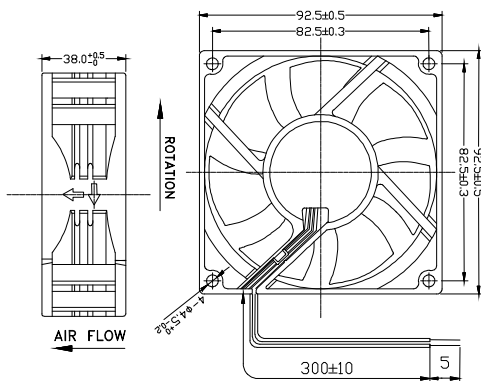
10meg Ohm min, at 500 VDC  
(between frame and terminal)

**DIELECTRIC STRENGTH:**

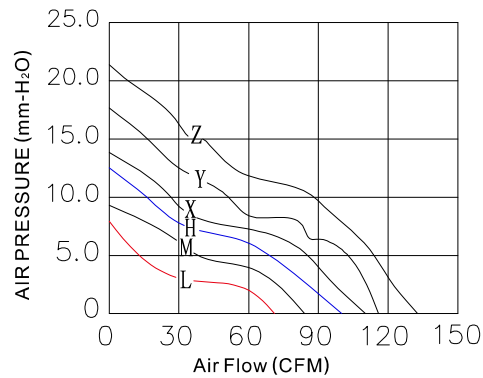
5mA max, at 500 VAC 60Hz one minute  
(between frame and terminal)

**| Dimensions Drawing**

Unit:mm



**| Characteristic Curves**



**| Specifications**

Carton Specifications (Unit: cm):49x26x40 QTY:200pcs GW:22.14Kg

Model	Bearing Type	Rated Voltage	Operation Voltage	Current	Speed	Air Flow	Static Pressure	Noise Level	Weight
		VDC	VDC						
AV-F9238HB	Ball	12	10.8~13.2	0.50	2500	104.7	14.50	53.5	80
AV-F9238MB	Ball	12	10.8~13.2	0.80	3500	116.1	18.10	57.0	80
AV-F9238LB	Ball	12	10.8~13.2	1.00	4500	130.2	22.00	59.3	80
AV-F9238HB24	Ball	24	21.6~26.4	0.50	2500	104.7	14.50	53.5	80
AV-F9238MB24	Ball	24	21.6~26.4	0.70	3500	116.1	18.10	57.0	80
AV-F9238LB24	Ball	24	21.6~26.4	1.00	4500	130.2	22.00	59.3	80
AV-F9238HB48	Ball	48	43.2~52.8	0.36	2500	104.7	14.50	53.5	80
AV-F9238MB48	Ball	48	43.2~52.8	0.54	3500	116.1	18.10	57.0	80
AV-F9238LB48	Ball	48	43.2~52.8	0.65	4500	130.2	22.00	59.3	80



**AV-F12020**



**SIZE:**

120x120x20mm

**construction:**

Glass Fiber reinforced plastic;  
Impeller and housing PBT are UL 94V-0 rating

**OPERATING TEMPERATURE:**

Sleeve bearing -10°C to +70°C

**INSULATION RESISTANCE:**

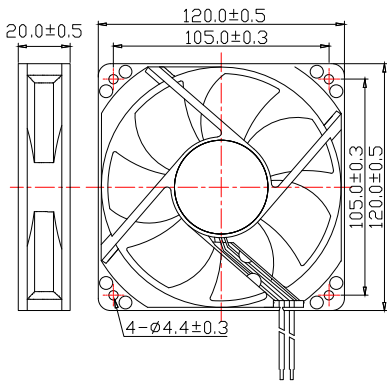
10meg Ohm min, at 500 VDC  
(between frame and terminal)

**DIELECTRIC STRENGTH:**

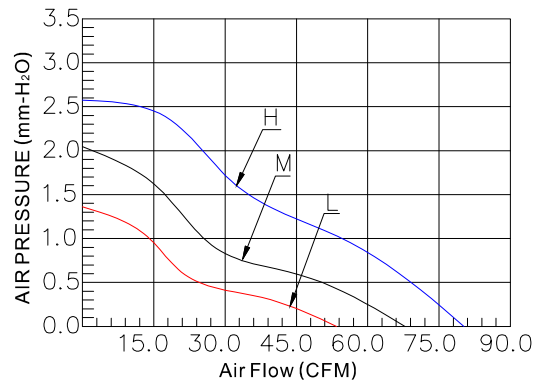
5mA max, at 500 VAC 60Hz one minute  
(between frame and terminal)

**Dimensions Drawing**

Unit:mm



**Characteristic Curves**



**Specifications**

Carton Specifications (Unit: cm):52.5x26.2x26 QTY:100pcs GW:9.76Kg

Model	Bearing Type	Rated Voltage	Operation Voltage	Current	Speed	Air Flow	Static Pressure	Noise Level	Weight
		VDC	VDC						
AV-F12020HS	Sleeve	12	10.8~13.2	0.30	2000	79.75	2.57	32.48	90.1
AV-F12020MS	Sleeve	12	10.8~13.2	0.25	1700	66.05	2.01	28.00	90.1
AV-F12020LS	Sleeve	12	10.8~13.2	0.20	1400	52.58	1.37	24.43	90.1
AV-F12020HB	Ball	12	10.8~13.2	0.30	2000	79.75	2.57	32.48	90.1
AV-F12020MB	Ball	12	10.8~13.2	0.25	1700	66.05	2.01	28.00	90.1
AV-F12020LB	Ball	12	10.8~13.2	0.20	1400	52.58	1.37	24.43	90.1
AV-F12020HS24	Sleeve	24	21.6~26.4	0.23	2000	79.75	2.57	32.48	90.1
AV-F12020MS24	Sleeve	24	21.6~26.4	0.18	1700	66.05	2.01	28.00	90.1
AV-F12020LS24	Sleeve	24	21.6~26.4	0.13	1400	52.58	1.37	24.43	90.1
AV-F12020HB24	Ball	24	21.6~26.4	0.23	2000	79.75	2.57	32.48	90.1
AV-F12020MB24	Ball	24	21.6~26.4	0.18	1700	66.05	2.01	28.00	90.1
AV-F12020LB24	Ball	24	21.6~26.4	0.13	1400	52.58	1.37	24.43	90.1

**AV-F12025**



**SIZE:**

120x120x25mm

**construction:**

Glass Fiber reinforced plastic;  
Impeller and housing PBT are UL 94V-0 rating

**OPERATING TEMPERATURE:**

Sleeve bearing -10°C to +70°C

**INSULATION RESISTANCE:**

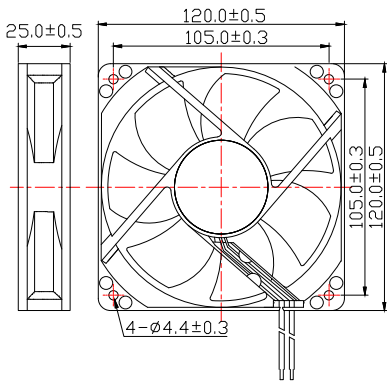
10meg Ohm min, at 500 VDC  
(between frame and terminal)

**DIELECTRIC STRENGTH:**

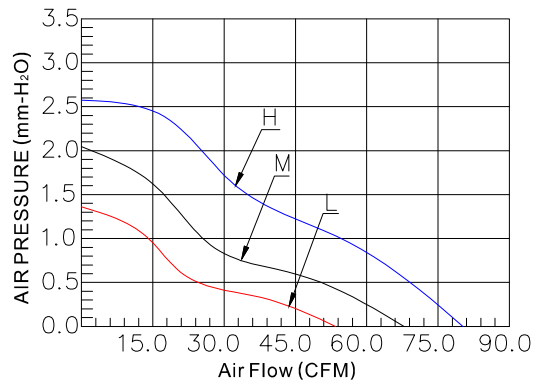
5mA max, at 500 VAC 60Hz one minute  
(between frame and terminal)

**| Dimensions Drawing**

Unit:mm



**| Characteristic Curves**



**| Specifications**

Carton Specifications (Unit: cm):64.5x26.2x26.7 QTY:100pcs GW:14.21Kg

Model	Bearing Type	Rated Voltage	Operation Voltage	Current	Speed	Air Flow	Static Pressure	Noise Level	Weight
		VDC	VDC	A	RPM	CFM	mmH <sub>2</sub> O	dBA	g
AV-F12025HS	Sleeve	12	10.8~13.2	0.60	3000	79.75	2.57	32.48	130
AV-F12025MS	Sleeve	12	10.8~13.2	0.35	2000	66.05	2.01	28.00	130
AV-F12025LS	Sleeve	12	10.8~13.2	0.15	1000	52.58	1.37	24.43	130
AV-F12025HB	Ball	12	10.8~13.2	0.60	3000	79.75	2.57	32.48	130
AV-F12025MB	Ball	12	10.8~13.2	0.35	2000	66.05	2.01	28.00	130
AV-F12025LB	Ball	12	10.8~13.2	0.15	1000	52.58	1.37	24.43	130
AV-F12025HS24	Sleeve	24	21.6~26.4	0.30	3000	79.75	2.57	32.48	130
AV-F12025MS24	Sleeve	24	21.6~26.4	0.20	2000	66.05	2.01	28.00	130
AV-F12025LS24	Sleeve	24	21.6~26.4	0.13	1000	52.58	1.37	24.43	130
AV-F12025HB24	Ball	24	21.6~26.4	0.30	3000	79.75	2.57	32.48	130
AV-F12025MB24	Ball	24	21.6~26.4	0.20	2000	66.05	2.01	28.00	130
AV-F12025LB24	Ball	24	21.6~26.4	0.13	1000	52.58	1.37	24.43	130

**AV-F12038**



**SIZE:**

120x120x38mm

**construction:**

Glass Fiber reinforced plastic;  
Impeller and housing PBT are UL 94V-0 rating

**OPERATING TEMPERATURE:**

Sleeve bearing -10°C to +70°C

**INSULATION RESISTANCE:**

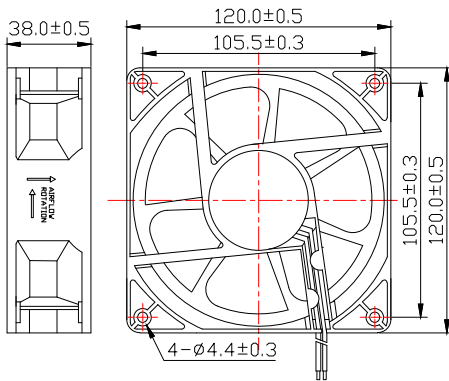
10meg Ohm min, at 500 VDC  
(between frame and terminal)

**DIELECTRIC STRENGTH:**

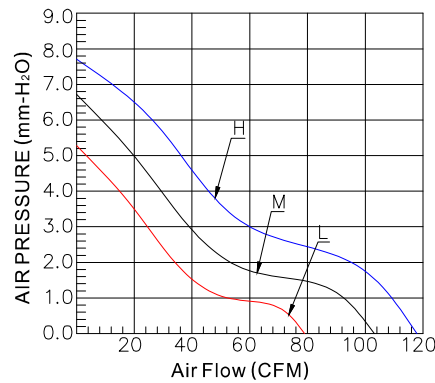
5mA max, at 500 VAC 60Hz one minute  
(between frame and terminal)

**Dimensions Drawing**

Unit:mm



**Characteristic Curves**



**Specifications**

Carton Specifications (Unit: cm):45x25x25 QTY:40pcs GW:9.44Kg

Model	Bearing Type	Rated Voltage	Operation Voltage	Current	Speed	Air Flow	Static Pressure	Noise Level	Weight
		VDC	VDC						
AV-F12038HS	Sleeve	12	10.8~13.2	1.00	4000	119.49	7.81	44.47	236
AV-F12038MS	Sleeve	12	10.8~13.2	0.45	3000	107.54	6.66	41.51	236
AV-F12038LS	Sleeve	12	10.8~13.2	0.30	2000	79.66	5.26	39.98	236
AV-F12038HB	Ball	12	10.8~13.2	1.00	4000	119.49	7.81	44.47	236
AV-F12038MB	Ball	12	10.8~13.2	0.45	3000	107.54	6.66	41.51	236
AV-F12038LB	Ball	12	10.8~13.2	0.30	2000	79.66	5.26	39.98	236
AV-F12038HS24	Sleeve	24	21.6~26.4	0.75	4000	119.49	7.81	44.47	236
AV-F12038MS24	Sleeve	24	21.6~26.4	0.30	3000	107.54	6.66	41.51	236
AV-F12038LS24	Sleeve	24	21.6~26.4	0.20	2000	79.66	5.26	39.98	236
AV-F12038HB24	Ball	24	21.6~26.4	0.75	4000	119.49	7.81	44.47	236
AV-F12038MB24	Ball	24	21.6~26.4	0.30	3000	107.54	6.66	41.51	236
AV-F12038LB24	Ball	24	21.6~26.4	0.20	2000	79.66	5.26	39.98	236

**AV-F14025**



**SIZE:**

140x140x25mm

**construction:**

Glass Fiber reinforced plastic;  
Impeller and housing PBT are UL 94V-0 rating

**OPERATING TEMPERATURE:**

Sleeve bearing -10°C to +70°C

**INSULATION RESISTANCE:**

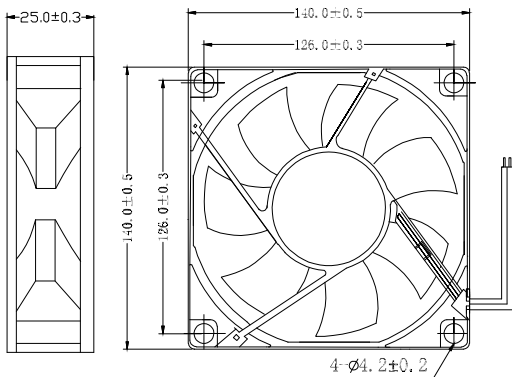
10meg Ohm min, at 500 VDC  
(between frame and terminal)

**DIELECTRIC STRENGTH:**

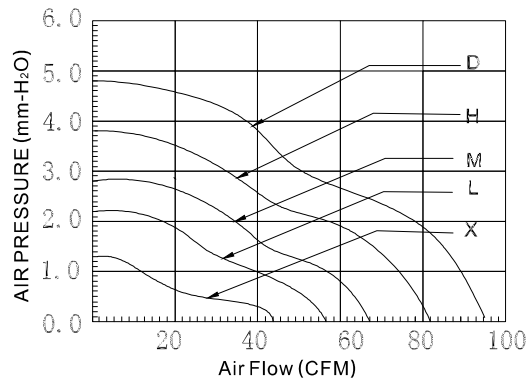
5mA max, at 500 VAC 60Hz one minute  
(between frame and terminal)

**| Dimensions Drawing**

Unit:mm



**| Characteristic Curves**



**| Specifications**

Carton Specifications (Unit: cm):65.5x30x31 QTY:100pcs GW:14.8Kg

Model	Bearing Type	Rated Voltage	Operation Voltage	Current	Speed	Air Flow	Static Pressure	Noise Level	Weight
		VDC	VDC						
AV-F14025HS	Sleeve	12	10.8~13.2	0.60	3000	119.49	7.81	44.47	137
AV-F14025MS	Sleeve	12	10.8~13.2	0.35	2000	107.54	6.66	41.51	137
AV-F14025LS	Sleeve	12	10.8~13.2	0.20	1000	79.66	5.26	39.98	137
AV-F14025HB	Ball	12	10.8~13.2	0.60	3000	119.49	7.81	44.47	137
AV-F14025MB	Ball	12	10.8~13.2	0.35	2000	107.54	6.66	41.51	137
AV-F14025LB	Ball	12	10.8~13.2	0.20	1000	79.66	5.26	39.98	137
AV-F14025HS24	Sleeve	24	21.6~26.4	0.40	3000	119.49	7.81	44.47	137
AV-F14025MS24	Sleeve	24	21.6~26.4	0.25	2000	107.54	6.66	41.51	137
AV-F14025LS24	Sleeve	24	21.6~26.4	0.15	1000	79.66	5.26	39.98	137
AV-F14025HB24	Ball	24	21.6~26.4	0.40	3000	119.49	7.81	44.47	137
AV-F14025MB24	Ball	24	21.6~26.4	0.25	2000	107.54	6.66	41.51	137
AV-F14025LB24	Ball	24	21.6~26.4	0.15	1000	79.66	5.26	39.98	137

**AV-F17251**



**SIZE:**

172x150x51mm

**construction:**

Glass Fiber reinforced plastic;  
Impeller and housing PBT are UL 94V-0 rating

**OPERATING TEMPERATURE:**

Sleeve bearing -10°C to +70°C

**INSULATION RESISTANCE:**

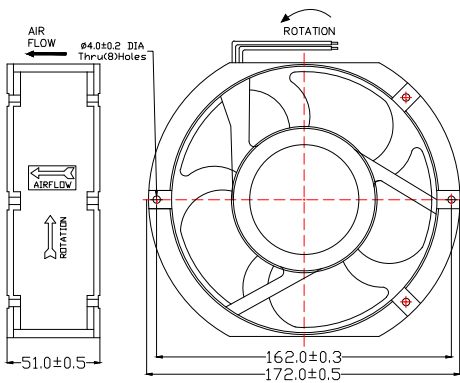
10meg Ohm min, at 500 VDC  
(between frame and terminal)

**DIELECTRIC STRENGTH:**

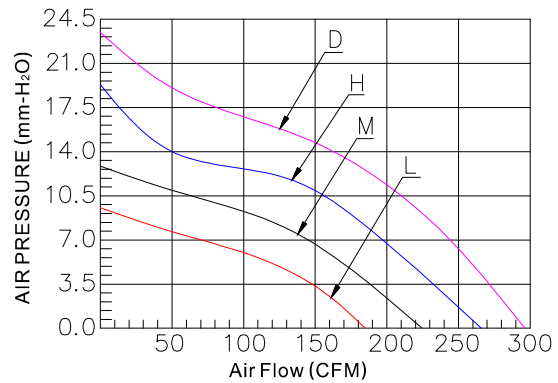
5mA max, at 500 VAC 60Hz one minute  
(between frame and terminal)

**Dimensions Drawing**

Unit:mm



**Characteristic Curves**



**Specifications**

Carton Specifications (Unit: cm):78x32x34 QTY:40pcs GW:31.14Kg

Model	Bearing Type	Rated Voltage	Operation Voltage	Current	Speed	Air Flow	Static Pressure	Noise Level	Weight
		VDC	VDC						
AV-F17251DB24	Ball	24	21.6~26.4	1.50	4000	296.00	24.04	74.40	760
AV-F17251HB24	Ball	24	21.6~26.4	1.00	3600	266.00	19.48	67.00	760
AV-F17251MB24	Ball	24	21.6~26.4	0.60	3000	222.00	13.54	55.80	760
AV-F17251LB24	Ball	24	21.6~26.4	0.40	2500	185.00	9.40	46.50	760
AV-F17251DB48	Ball	48	43.2~52.8	0.80	4000	296.00	24.04	74.40	760
AV-F17251HB48	Ball	48	43.2~52.8	0.60	3600	266.00	19.48	67.00	760
AV-F17251MB48	Ball	48	43.2~52.8	0.35	3000	222.00	13.54	55.80	760
AV-F17251LB48	Ball	48	43.2~52.8	0.25	2500	185.00	9.40	46.50	760

**AV-A6030**



**SIZE:**

60x60x30mm

**construction:**

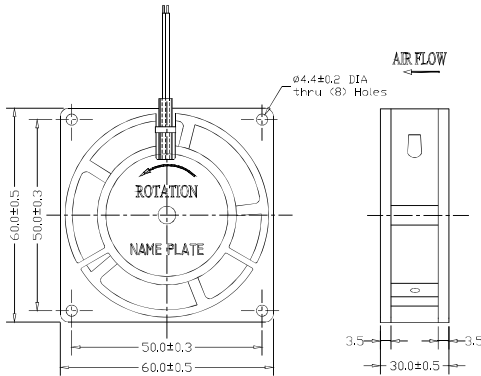
- Die -cast aluminum housing
- Glass fiber reinforced plastic:  
Impeller are UL 94V -0 rating
- Shaded pole motor
- Impedance protected
- Leader wire or terminal is available

**OPERATING TEMPERATURE:**

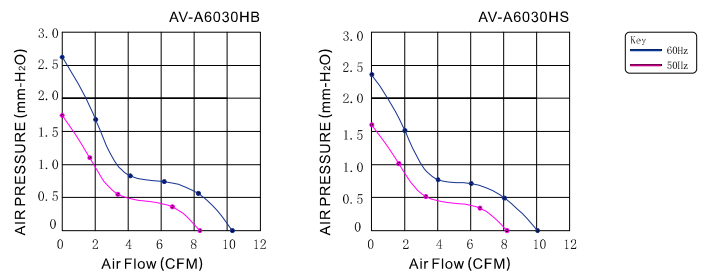
- Ball bearing -30°C to +75°C
- Sleeve bearing -10°C to +70°C

**Dimensions Drawing**

Unit:mm



**Characteristic Curves**



**Specifications**

Model	Bearing Type	Rated Voltage	Fre-	Current	Power	Speed	Noise Level	Air Flow		Static Pressure	Weight
		VAC	Hz	A	W	RPM	dBA	M <sup>3</sup> /min	CFM	mmH <sub>2</sub> O	
AV-A6030HS10	Sleeve	100~125	50/60	0.035/0.042	5/4	2550/3100	27/28	13.8/17.5	8.1/10.3	1.7/2.8	145
AV-A6030HS20	Sleeve	220~240	50/60	0.022/0.020	5/4	2550/3100	27/28	13.8/17.5	8.1/10.3	1.7/2.8	145
AV-A6030HB10	Ball	100~125	50/60	0.035/0.042	5/4	2550/3100	27/28	13.8/17.5	8.1/10.3	1.7/2.8	145
AV-A6030HB20	Ball	220~240	50/60	0.022/0.020	5/4	2550/3100	27/28	13.8/17.5	8.1/10.3	1.7/2.8	145



**SIZE:**

80x80x25mm

**construction:**

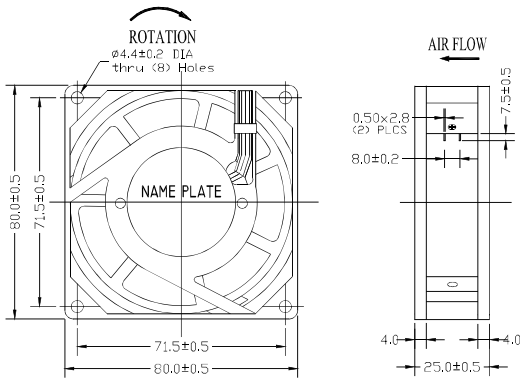
- Die -cast aluminum housing
- Glass fiber reinforced plastic:  
Impeller are UL 94V -0 rating
- Shaded pole motor
- Impedance protected
- Leader wire or terminal is available

**OPERATING TEMPERATURE:**

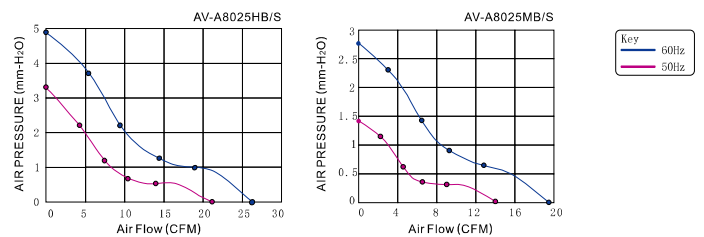
- Ball bearing -30°C to +75°C
- Sleeve bearing -10°C to +70°C

**Dimensions Drawing**

Unit:mm



**Characteristic Curves**



**Specifications**

Model	Bearing Type	Rated Voltage	Fre-	Current	Power	Speed	Noise Level	Air Flow		Static Pressure	Weight
		VAC	Hz	A	W	RPM	dBA	M <sup>3</sup> /min	CFM	mmH <sub>2</sub> O	
AV-A8025HB10	Ball	115	50/60	0.12/0.10	14/13.5	2300/2800	29/33	0.51/0.62	18/22	3.30/4.83	208
AV-A8025HS10	Sleeve	115	50/60	0.12/0.10	14/13.5	2300/2800	29/33	0.51/0.62	18/22	3.30/4.83	208
AV-A8025MB10	Ball	115	50/60	0.09/0.08	11/10	2000/2200	20/21	0.42/0.49	15/17	2.70/2.60	208
AV-A8025MS10	Sleeve	115	50/60	0.09/0.08	11/10	2000/2200	20/21	0.42/0.49	15/17	2.70/2.60	208
AV-A8025HB20	Ball	220~240	50/60	0.08/0.07	14/13.5	2300/2800	29/33	0.51/0.62	18/22	3.30/4.83	208
AV-A8025HS20	Sleeve	220~240	50/60	0.08/0.07	14/13.5	2300/2800	29/33	0.51/0.62	18/22	3.30/4.83	208
AV-A8025MB20	Ball	220~240	50/60	0.06/0.06	11/10	2000/2200	20/21	0.42/0.49	15/17	2.70/2.60	208
AV-A8025MS20	Sleeve	220~240	50/60	0.06/0.06	11/10	2000/2200	20/21	0.42/0.49	15/17	2.70/2.60	208
AV-A8025HB30	Ball	380	50	0.07	14	2300	29	0.51	18	3.30	208
AV-A8025HS30	Sleeve	380	50	0.07	14	2300	29	0.51	18	3.30	208

**AV-A8038**



**SIZE:**

80x80x38mm

**construction:**

- Die -cast aluminum housing
- Glass fiber reinforced plastic:  
Impeller are UL 94V -0 rating
- Shaded pole motor
- Impedance protected
- Leader wire or terminal is available

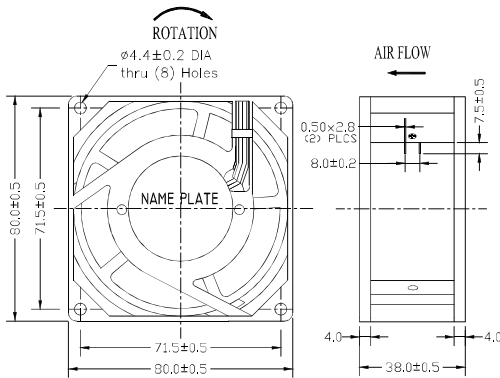
**OPERATING TEMPERATURE:**

Ball bearing -30°C to +75°C

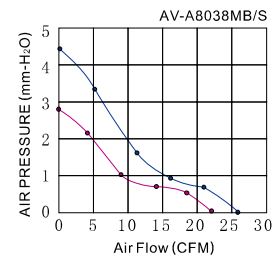
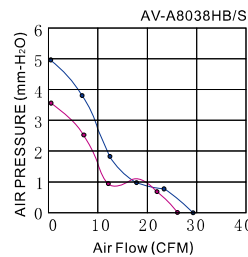
Sleeve bearing -10°C to +70°C

**Dimensions Drawing**

Unit:mm



**Characteristic Curves**



Key  
— 60Hz  
— 50Hz

**Specifications**

Model	Bearing Type	Rated Voltage	Fre-	Current	Power	Speed	Noise Level	Air Flow		Static Pressure	Weight
		VAC	Hz	A	W	RPM	dBA	M <sup>3</sup> /min	CFM	mmH <sub>2</sub> O	g
AV-A8038HB10	Ball	115	50/60	0.15/0.13	16/14	2400/2900	31/35	0.68/0.88	24/31	3.30/4.83	340
AV-A8038HS10	Sleeve	115	50/60	0.15/0.13	16/14	2400/2900	31/35	0.68/0.88	24/31	3.30/4.83	340
AV-A8038MB10	Ball	115	50/60	0.13/0.11	14/12	2200/2400	27/31	0.62/0.65	22/23	3.10/3.60	340
AV-A8038MS10	Sleeve	115	50/60	0.13/0.11	14/12	2200/2400	27/31	0.62/0.65	22/23	3.10/3.60	340
AV-A8038LB10	Ball	115	50/60	0.10/0.09	10/9	1800/1600	19/17	0.51/0.48	18/17	2.90/2.70	340
AV-A8038LS10	Sleeve	115	50/60	0.10/0.09	10/9	1800/1600	19/17	0.51/0.48	18/17	2.90/2.70	340
AV-A8038HB20	Ball	220~240	50/60	0.11/0.10	18/16	2400/2900	31/35	0.68/0.88	24/31	3.30/4.83	340
AV-A8038HS20	Sleeve	220~240	50/60	0.11/0.10	18/16	2400/2900	31/35	0.68/0.88	24/31	3.30/4.83	340
AV-A8038MB20	Ball	220~240	50/60	0.09/0.08	14/12	2200/2400	27/31	0.62/0.65	22/23	3.10/3.60	340
AV-A8038MS20	Sleeve	220~240	50/60	0.09/0.08	14/12	2200/2400	27/31	0.62/0.65	22/23	3.10/3.60	340
AV-A8038LB20	Ball	220~240	50/60	0.08/0.07	10/9	1800/1600	19/17	0.51/0.48	18/17	2.90/2.70	340
AV-A8038LS20	Sleeve	220~240	50/60	0.08/0.07	10/9	1800/1600	19/17	0.51/0.48	18/17	2.90/2.70	340
AV-A8038HB30	Ball	380	50	0.09	18	2400	31	0.68	24	3.30	340
AV-A8038HS30	Sleeve	380	50	0.09	18	2400	31	0.68	24	3.30	340



**AV-A9225**



**SIZE:**

92x92x25mm

**construction:**

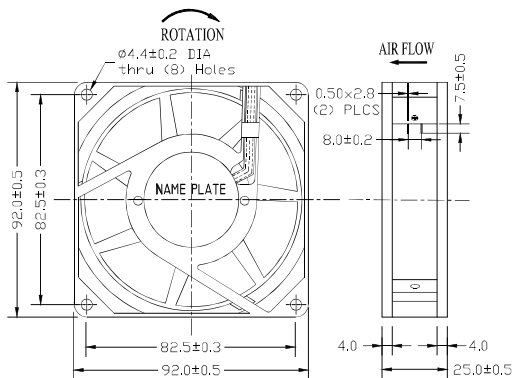
- Die -cast aluminum housing
- Glass fiber reinforced plastic:  
Impeller are UL 94V-0 rating
- Shaded pole motor
- Impedance protected
- Leader wire or terminal is available

**OPERATING TEMPERATURE:**

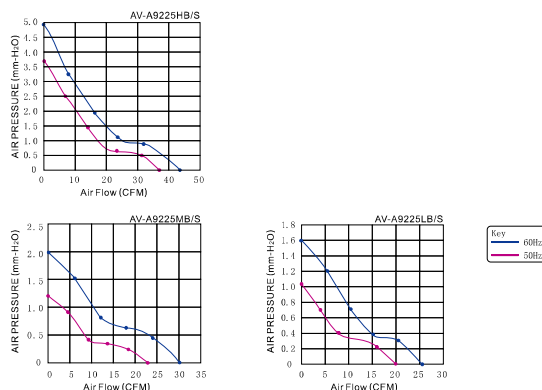
- Ball bearing -30°C to +75°C
- Sleeve bearing -10°C to +70°C

**Dimensions Drawing**

Unit:mm



**Characteristic Curves**



**Specifications**

Model	Bearing Type	Rated Voltage	Fre-	Current	Power	Speed	Noise Level	Air Flow		Static Pressure	Weight
		VAC	Hz	A	W	RPM	dBA	M <sup>3</sup> /min	CFM	mmH <sub>2</sub> O	
AV-A9225HB10	Ball	115	50/60	0.12/0.10	14/13.5	2500/2900	32/37	0.85/1.05	30/37	3.30/4.83	240
AV-A9225HS10	Sleeve	115	50/60	0.12/0.10	14/13.5	2500/2900	32/37	0.85/1.05	30/37	3.30/4.83	240
AV-A9225MB10	Ball	115	50/60	0.09/0.08	11/10	2300/2600	25/33	0.71/0.85	25/30	3.0/3.5	240
AV-A9225MS10	Sleeve	115	50/60	0.09/0.08	11/10	2300/2600	25/33	0.71/0.85	25/30	3.0/3.5	240
AV-A9225LB10	Ball	115	50/60	0.07/0.07	9/8	2000/2200	22/24	0.60/0.62	21/22	2.7/2.6	240
AV-A9225LS10	Sleeve	115	50/60	0.07/0.07	9/8	2000/2200	22/24	0.60/0.62	21/22	2.7/2.6	240
AV-A9225HB20	Ball	220~240	50/60	0.08/0.07	16/15	2500/2900	32/37	0.85/1.05	30/37	3.30/4.83	240
AV-A9225HS20	Sleeve	220~240	50/60	0.08/0.07	16/15	2500/2900	32/37	0.85/1.05	30/37	3.30/4.83	240
AV-A9225MB20	Ball	220~240	50/60	0.07/0.06	13/12	2300/2600	25/33	0.71/0.85	25/30	3.0/3.5	240
AV-A9225MS20	Sleeve	220~240	50/60	0.07/0.06	13/12	2300/2600	25/33	0.71/0.85	25/30	3.0/3.5	240
AV-A9225LB20	Ball	220~240	50/60	0.05/0.05	9/8	2000/2200	22/24	0.60/0.62	21/22	2.7/2.6	240
AV-A9225LS20	Sleeve	220~240	50/60	0.05/0.05	9/8	2000/2200	22/24	0.60/0.62	21/22	2.7/2.6	240
AV-A9225HB30	Ball	380	50	0.07	14	2500	32	0.85	30	3.30	240
AV-A9225HS30	Sleeve	380	50	0.07	14	2500	32	0.85	30	3.30	240



**SIZE:**

92x92x38mm

**construction:**

- Die -cast aluminum housing
- Glass fiber reinforced plastic:  
Impeller are UL 94V-0 rating
- Shaded pole motor
- Impedance protected
- Leader wire or terminal is available

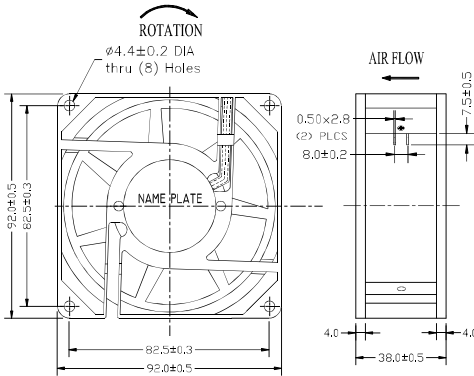
**OPERATING TEMPERATURE:**

Ball bearing -30°C to +75°C

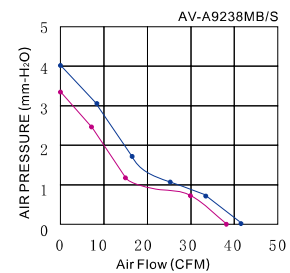
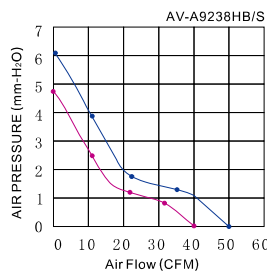
Sleeve bearing -10°C to +70°C

**Dimensions Drawing**

Unit:mm



**Characteristic Curves**



Key  
— 60Hz  
— 50Hz

**Specifications**

Model	Bearing Type	Rated Voltage	Fre-	Current	Power	Speed	Noise Level	Air Flow		Static Pressure	Weight
		VAC	Hz	A	W	RPM	dBA	M <sup>3</sup> /min	CFM	mmH <sub>2</sub> O	
AV-A9238HB10	Ball	115	50/60	0.16/0.14	16/14	2400/2900	32/36	1.22/1.42	43/50	4.50/5.5	350
AV-A9238HS10	Sleeve	115	50/60	0.16/0.14	16/14	2400/2900	32/36	1.22/1.42	43/50	4.50/5.5	350
AV-A9238MB10	Ball	115	50/60	0.13/0.11	14/12	2200/2400	27/31	0.79/0.91	28/32	3.5/4.2	350
AV-A9238MS10	Sleeve	115	50/60	0.13/0.11	14/12	2200/2400	27/31	0.79/0.91	28/32	3.5/4.2	350
AV-A9238LB10	Ball	115	50/60	0.10/0.09	10/9	1800/1600	20/18	0.68/0.65	24/23	3.0/2.7	350
AV-A9238LS10	Sleeve	115	50/60	0.10/0.09	10/9	1800/1600	20/18	0.68/0.65	24/23	3.0/2.7	350
AV-A9238HB20	Ball	220~240	50/60	0.12/0.11	18/16	2400/2900	32/36	1.22/1.42	43/50	4.50/5.5	350
AV-A9238HS20	Sleeve	220~240	50/60	0.12/0.11	18/16	2400/2900	32/36	1.22/1.42	43/50	4.50/5.5	350
AV-A9238MB20	Ball	220~240	50/60	0.09/0.08	14/12	2200/2400	27/31	0.79/0.91	28/32	3.5/4.2	350
AV-A9238MS20	Sleeve	220~240	50/60	0.09/0.08	14/12	2200/2400	27/31	0.79/0.91	28/32	3.5/4.2	350
AV-A9238LB20	Ball	220~240	50/60	0.08/0.07	10/9	1800/1600	20/18	0.68/0.65	24/23	3.0/2.7	350
AV-A9238LS20	Sleeve	220~240	50/60	0.08/0.07	10/9	1800/1600	20/18	0.68/0.65	24/23	3.0/2.7	350
AV-A9238HB30	Ball	380	50	0.09	17	2400	32	1.22	43	4.5	350
AV-A9238HS30	Sleeve	380	50	0.09	17	2400	32	1.22	43	4.5	350

**AV-A12025**



**SIZE:**

120x120x25mm

**construction:**

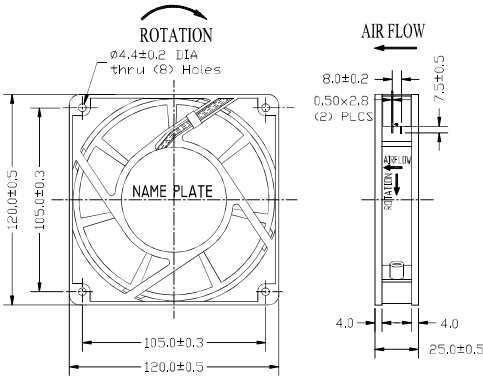
- Die -cast aluminum housing
- Glass fiber reinforced plastic:  
Impeller are UL 94V-0 rating
- Shaded pole motor
- Impedance protected
- Leader wire or terminal is available

**OPERATING TEMPERATURE:**

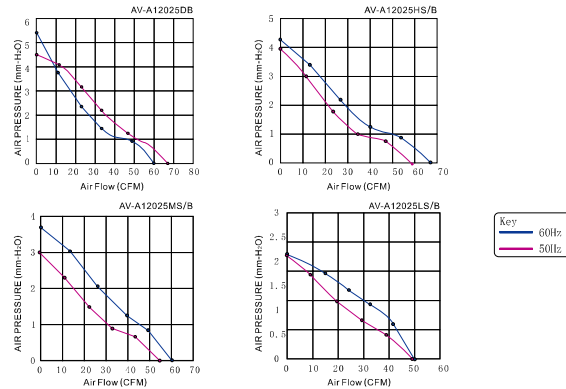
Ball bearing -30°C to +75°C  
Sleeve bearing -10°C to +70°C

**Dimensions Drawing**

Unit:mm



**Characteristic Curves**



**Specifications**

Model	Bearing Type	Rated Voltage	Fre-	Current	Power	Speed	Noise Level	Air Flow		Static Pressure	Weight
		VAC	Hz	A	W	RPM	dBA	M <sup>3</sup> /min	CFM	mmH <sub>2</sub> O	g
AV-A12025HB10	Ball	115	50/60	0.19/0.18	19/18	2200/2400	38/40	1.87/2.21	66/78	3.56/4.06	370
AV-A12025HS10	Sleeve	115	50/60	0.19/0.18	19/18	2200/2400	38/40	1.87/2.21	66/78	3.56/4.06	370
AV-A12025MB10	Ball	115	50/60	0.16/0.15	16/15	2000/2000	35/35	1.64/1.64	58/58	3.0/3.2	370
AV-A12025MS10	Sleeve	115	50/60	0.16/0.15	16/15	2000/2000	35/35	1.64/1.64	58/58	3.0/3.2	370
AV-A12025LB10	Ball	115	50/60	0.13/0.11	14/13	1800/1700	30/29	1.40/1.36	50/48	2.78/2.68	370
AV-A12025LS10	Sleeve	115	50/60	0.13/0.11	14/13	1800/1700	30/29	1.40/1.36	50/48	2.78/2.68	370
AV-A12025HB20	Ball	220~240	50/60	0.09/0.09	19/18	2200/2400	38/40	1.87/2.21	66/78	3.56/4.06	370
AV-A12025HS20	Sleeve	220~240	50/60	0.09/0.09	19/18	2200/2400	38/40	1.87/2.21	66/78	3.56/4.06	370
AV-A12025MB20	Ball	220~240	50/60	0.07/0.07	16/15	2000/2000	35/35	1.64/1.64	58/58	3.0/3.2	370
AV-A12025MS20	Sleeve	220~240	50/60	0.07/0.07	16/15	2000/2000	35/35	1.64/1.64	58/58	3.0/3.2	370
AV-A12025LB20	Ball	220~240	50/60	0.05/0.05	14/13	1800/1700	30/29	1.40/1.36	50/48	2.78/2.68	370
AV-A12025LS20	Sleeve	220~240	50/60	0.05/0.05	14/13	1800/1700	30/29	1.40/1.36	50/48	2.78/2.68	370
AV-A12025HB30	Ball	380	50	0.06	14	2200	38	1.87	66	3.56	370
AV-A12025HS30	Sleeve	380	50	0.06	14	2200	38	1.87	66	3.56	370



**SIZE:**

120x120x38mm

**construction:**

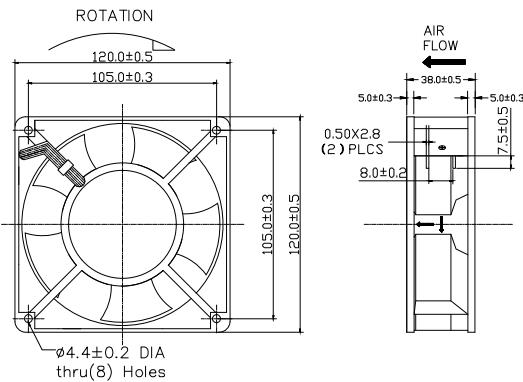
- Die -cast aluminum housing
- Glass fiber reinforced plastic:  
Impeller are UL 94V -0 rating
- Shaded pole motor
- Impedance protected
- Leader wire or terminal is available

**OPERATING TEMPERATURE:**

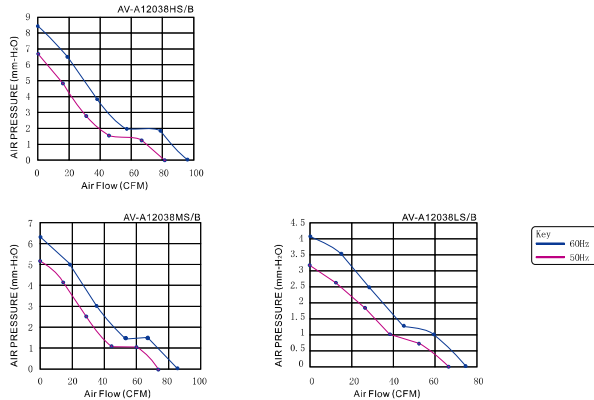
Ball bearing -30°C to +75°C  
Sleeve bearing -10°C to +70°C

**Dimensions Drawing**

Unit:mm



**Characteristic Curves**



**Specifications**

Model	Bearing Type	Rated Voltage	Fre-	Current	Power	Speed	Noise Level	Air Flow		Static Pressure	Weight
		VAC	Hz	A	W	RPM	dBA	M <sup>3</sup> /min	CFM	mmH <sub>2</sub> O	g
AV-A12038HB10	Ball	115	50/60	0.22/0.18	21/18	2650/2950	40/45	2.58/3.20	91/113	6.35/7.62	540
AV-A12038HS10	Sleeve	115	50/60	0.22/0.18	21/18	2650/2950	40/45	2.58/3.20	91/113	6.35/7.62	540
AV-A12038MB10	Ball	115	50/60	0.17/0.15	16/14	2400/2200	37/35	2.1/2.0	75/70	5.6/5.0	540
AV-A12038MS10	Sleeve	115	50/60	0.17/0.15	16/14	2400/2200	37/35	2.1/2.0	75/70	5.6/5.0	540
AV-A12038LB10	Ball	115	50/60	0.14/0.12	12/10.5	2000/1800	30/29	1.87/1.70	66/60	4.8/4.5	540
AV-A12038LS10	Sleeve	115	50/60	0.14/0.12	12/10.5	2000/1800	30/29	1.87/1.70	66/60	4.8/4.5	540
AV-A12038HB20	Ball	220~240	50/60	0.12/0.11	21/18	2650/2950	40/45	2.58/3.20	91/113	6.35/7.62	540
AV-A12038HS20	Sleeve	220~240	50/60	0.12/0.11	21/18	2650/2950	40/45	2.58/3.20	91/113	6.35/7.62	540
AV-A12038MB20	Ball	220~240	50/60	0.09/0.08	16/14	2400/2200	37/35	2.1/2.0	75/70	5.6/5.0	540
AV-A12038MS20	Sleeve	220~240	50/60	0.09/0.08	16/14	2400/2200	37/35	2.1/2.0	75/70	5.6/5.0	540
AV-A12038LB20	Ball	220~240	50/60	0.08/0.08	12/10.5	2000/1800	30/29	1.87/1.70	66/60	4.8/4.5	540
AV-A12038LS20	Sleeve	220~240	50/60	0.08/0.08	12/10.5	2000/1800	30/29	1.87/1.70	66/60	4.8/4.5	540
AV-A12038HB30	Ball	380	50	0.07	18	2600	40	2.58	91	6.35	540
AV-A12038HS30	Sleeve	380	50	0.07	18	2600	40	2.58	91	6.35	540



**SIZE:**

120x120x38mm

**construction:**

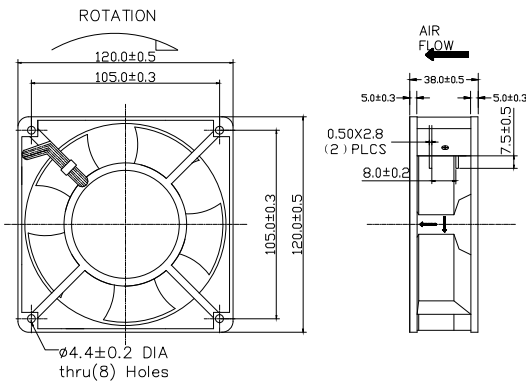
- Die -cast aluminum housing
- Glass fiber reinforced plastic:  
Impeller are UL 94V -0 rating
- Shaded pole motor
- Impedance protected
- Leader wire or terminal is available

**OPERATING TEMPERATURE:**

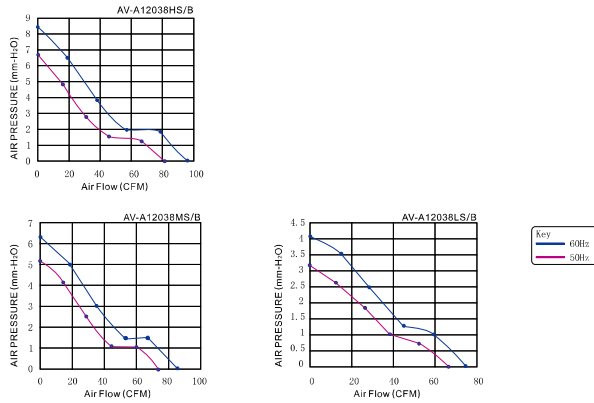
Ball bearing -30°C to +75°C  
Sleeve bearing -10°C to +70°C

**Dimensions Drawing**

Unit:mm



**Characteristic Curves**



**Specifications**

Model	Bearing Type	Rated Voltage	Fre-	Current	Power	Speed	Noise Level	Air Flow		Static Pressure	Weight
		VAC	Hz	A	W	RPM	dBA	M <sup>3</sup> /min	CFM	mmH <sub>2</sub> O	g
AV-A12038HB10	Ball	115	50/60	0.22/0.18	21/18	2550/2900	40/45	2.72/3.37	96/119	6.67/8.01	540
AV-A12038HS10	Sleeve	115	50/60	0.22/0.18	21/18	2550/2900	40/45	2.72/3.37	96/119	6.67/8.01	540
AV-A12038MB10	Ball	115	50/60	0.17/0.15	16/14	2400/2200	37/35	2.4/2.21	85/78	4.9/4.5	540
AV-A12038MS10	Sleeve	115	50/60	0.17/0.15	16/14	2400/2200	37/35	2.4/2.21	85/78	4.9/4.5	540
AV-A12038LB10	Ball	115	50/60	0.14/0.12	12/10.5	2000/1800	30/29	2.00/1.93	74/68	4.0/3.7	540
AV-A12038LS10	Sleeve	115	50/60	0.14/0.12	12/10.5	2000/1800	30/29	2.00/1.93	74/68	4.0/3.7	540
AV-A12038HB20	Ball	220~240	50/60	0.12/0.11	20/19	2550/2900	40/45	2.72/3.37	96/119	6.67/8.01	540
AV-A12038HS20	Sleeve	220~240	50/60	0.12/0.11	20/19	2550/2900	40/45	2.72/3.37	96/119	6.67/8.01	540
AV-A12038MB20	Ball	220~240	50/60	0.09/0.08	16/14	2400/2200	37/35	2.4/2.21	85/78	4.9/4.5	540
AV-A12038MS20	Sleeve	220~240	50/60	0.09/0.08	16/14	2400/2200	37/35	2.4/2.21	85/78	4.9/4.5	540
AV-A12038LB20	Ball	220~240	50/60	0.08/0.08	12/10.5	2000/1800	30/29	2.00/1.93	74/68	4.0/3.7	540
AV-A12038LS20	Sleeve	220~240	50/60	0.08/0.08	12/10.5	2000/1800	30/29	2.00/1.93	74/68	4.0/3.7	540
AV-A12038HB30	Ball	380	50	0.06	18	2550	40	2.72	96	6.67	540
AV-A12038HS30	Sleeve	380	50	0.06	18	2550	40	2.72	96	6.67	540

**AV-A15050**



**SIZE:**

150x150x50mm

**construction:**

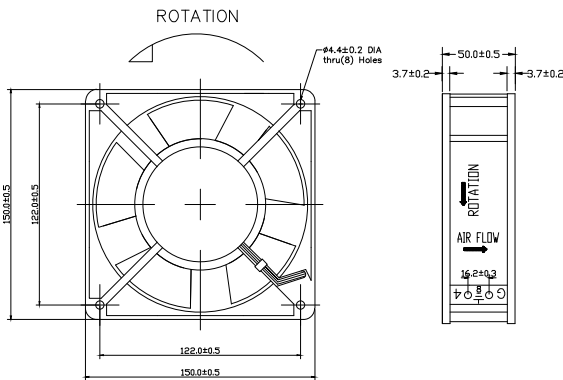
- Die -cast aluminum housing
- Glass fiber reinforced plastic:  
Impeller are UL 94V -0 rating
- Shaded pole motor
- Impedance protected
- Leader wire or terminal is available

**OPERATING TEMPERATURE:**

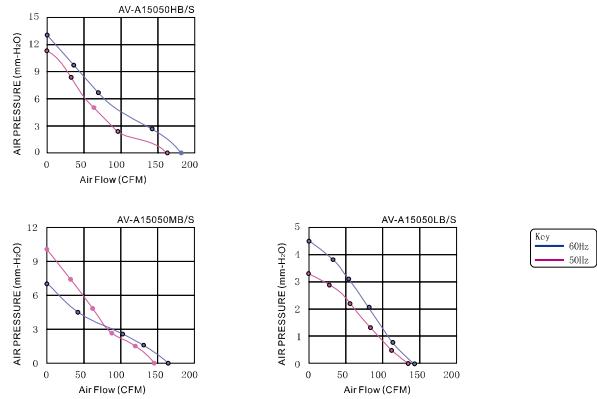
Ball bearing -30°C to +75°C  
Sleeve bearing -10°C to +70°C

**Dimensions Drawing**

Unit:mm



**Characteristic Curves**



**Specifications**

Model	Bearing Type	Rated Voltage	Fre-	Current	Power	Speed	Noise Level	Air Flow		Static Pressure	Weight
		VAC	Hz	A	W	RPM	dBA	M <sup>3</sup> /min	CFM	mmH <sub>2</sub> O	g
AV-A15050HB10	Ball	115	50/60	0.50/0.45	37/36	2700/3100	45/50	5.37/6.65	190/235	16.0/17.78	850
AV-A15050HS10	Sleeve	115	50/60	0.50/0.45	37/36	2700/3100	45/50	5.37/6.65	190/235	16.0/17.78	850
AV-A15050MB10	Ball	115	50/60	0.41/0.39	32/30	2400/2300	41/40	4.0/4.5	170/160	15/14	850
AV-A15050MS10	Sleeve	115	50/60	0.41/0.39	32/30	2400/2300	41/40	4.0/4.5	170/160	15/14	850
AV-A15050LB10	Ball	115	50/60	0.35/0.35	26/25	1900/1500	32/30	3.5/3.0	125/105	8/6	850
AV-A15050LS10	Sleeve	115	50/60	0.35/0.35	26/25	1900/1500	32/30	3.5/3.0	125/105	8/6	850
AV-A15050HB20	Ball	220~240	50/60	0.22/0.21	34/33	2700/3100	45/50	5.37/6.65	190/235	16.0/17.78	850
AV-A15050HS20	Sleeve	220~240	50/60	0.22/0.21	34/33	2700/3100	45/50	5.37/6.65	190/235	16.0/17.78	850
AV-A15050MB20	Ball	220~240	50/60	0.19/0.18	30/28	2400/2300	41/40	4.0/4.5	170/160	15/14	850
AV-A15050MS20	Sleeve	220~240	50/60	0.19/0.18	30/28	2400/2300	41/40	4.0/4.5	170/160	15/14	850
AV-A15050LB20	Ball	220~240	50/60	0.16/0.16	26/25	1900/1500	32/30	3.5/3.0	125/105	8/6	850
AV-A15050LS20	Sleeve	220~240	50/60	0.16/0.16	26/25	1900/1500	32/30	3.5/3.0	125/105	8/6	850
AV-A15050HB30	Ball	380	50	0.11	34	2700	45	5.37	190	15	850
AV-A15050HS30	Sleeve	380	50	0.11	34	2700	45	5.37	190	15	850

**AV-A17238**



**SIZE:**

172x150x38mm

**construction:**

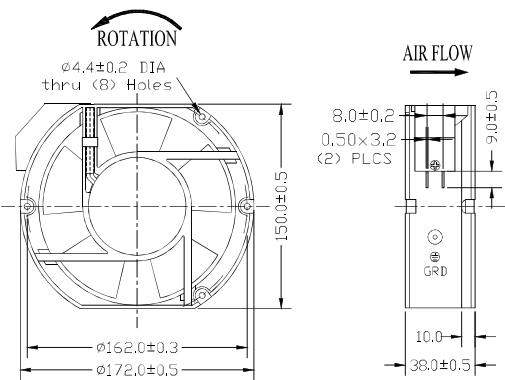
- Die -cast aluminum housing
- Glass fiber reinforced plastic:  
Impeller are UL 94V -0 rating
- Shaded pole motor
- Impedance protected
- Leader wire or terminal is available

**OPERATING TEMPERATURE:**

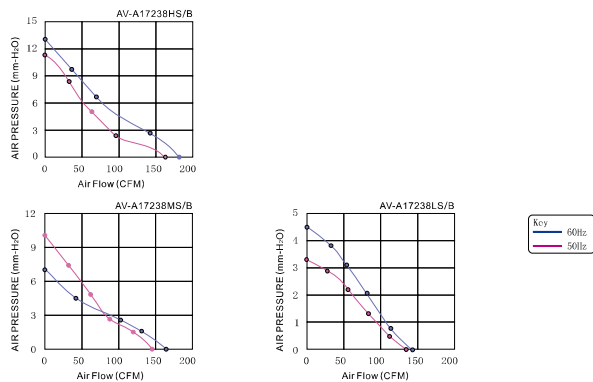
- Ball bearing -30°C to +75°C
- Sleeve bearing -10°C to +70°C

**Dimensions Drawing**

Unit:mm



**Characteristic Curves**



**Specifications**

Model	Bearing Type	Rated Voltage	Fre-	Current	Power	Speed	Noise Level	Air Flow		Static Pressure	Weight
		VAC	Hz	A	W	RPM	dBA	M <sup>3</sup> /min	CFM	mmH <sub>2</sub> O	g
AV-A17238HB10	Ball	115	50/60	0.50/0.45	37/36	2700/3100	45/50	5.37/6.65	190/235	16.0/17.78	908
AV-A17238HS10	Sleeve	115	50/60	0.50/0.45	37/36	2700/3100	45/50	5.37/6.65	190/235	16.0/17.78	908
AV-A17238MB10	Ball	115	50/60	0.41/0.39	32/30	2400/2300	41/40	4.0/4.5	170/160	15/14	908
AV-A17238MS10	Sleeve	115	50/60	0.41/0.39	32/30	2400/2300	41/40	4.0/4.5	170/160	15/14	908
AV-A17238LB10	Ball	115	50/60	0.35/0.35	26/25	1900/1500	32/30	3.5/3.0	125/105	8/6	908
AV-A17238LS10	Sleeve	115	50/60	0.35/0.35	26/25	1900/1500	32/30	3.5/3.0	125/105	8/6	908
AV-A17238HB20	Ball	220~240	50/60	0.22/0.21	34/33	2700/3100	45/50	5.37/6.65	190/235	16.0/17.78	908
AV-A17238HS20	Sleeve	220~240	50/60	0.22/0.21	34/33	2700/3100	45/50	5.37/6.65	190/235	16.0/17.78	908
AV-A17238MB20	Ball	220~240	50/60	0.19/0.18	30/28	2400/2300	41/40	4.0/4.5	170/160	15/14	908
AV-A17238MS20	Sleeve	220~240	50/60	0.19/0.18	30/28	2400/2300	41/40	4.0/4.5	170/160	15/14	908
AV-A17238LB20	Ball	220~240	50/60	0.16/0.16	26/25	1900/1500	32/30	3.5/3.0	125/105	8/6	908
AV-A17238LS20	Sleeve	220~240	50/60	0.16/0.16	26/25	1900/1500	32/30	3.5/3.0	125/105	8/6	908
AV-A17238HB30	Ball	380	50	0.11	34	2700	45	5.37	190	15	908
AV-A17238HS30	Sleeve	380	50	0.11	34	2700	45	5.37	190	15	908

**AV-A17251**



**SIZE:**

172x150x51mm

**construction:**

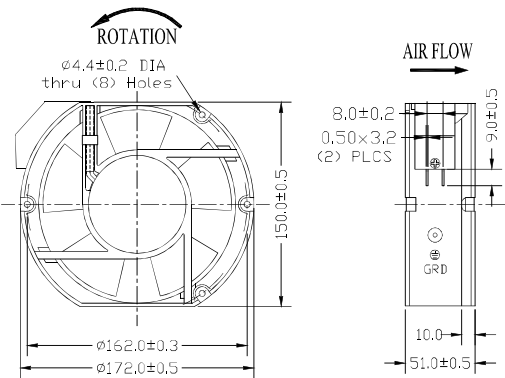
- Die -cast aluminum housing
- Glass fiber reinforced plastic:  
Impeller are UL 94V -0 rating
- Shaded pole motor
- Impedance protected
- Leader wire or terminal is available

**OPERATING TEMPERATURE:**

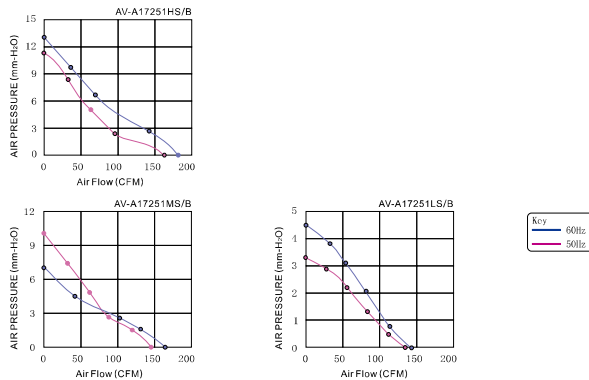
Ball bearing -30°C to +75°C  
Sleeve bearing -10°C to +70°C

**Dimensions Drawing**

Unit:mm



**Characteristic Curves**



**Specifications**

Model	Bearing Type	Rated Voltage	Fre-	Current	Power	Speed	Noise Level	Air Flow		Static Pressure	Weight
		VAC	Hz	A	W	RPM	dBA	M <sup>3</sup> /min	CFM	mmH <sub>2</sub> O	g
AV-A17251HB10	Ball	115	50/60	0.50/0.45	37/36	2700/3100	45/50	5.37/6.65	190/235	16.0/17.78	908
AV-A17251HS10	Sleeve	115	50/60	0.50/0.45	37/36	2700/3100	45/50	5.37/6.65	190/235	16.0/17.78	908
AV-A17251MB10	Ball	115	50/60	0.41/0.39	32/30	2400/2300	41/40	4.0/4.5	170/160	15/14	908
AV-A17251MS10	Sleeve	115	50/60	0.41/0.39	32/30	2400/2300	41/40	4.0/4.5	170/160	15/14	908
AV-A17251LB10	Ball	115	50/60	0.35/0.35	26/25	1900/1500	32/30	3.5/3.0	125/105	8/6	908
AV-A17251LS10	Sleeve	115	50/60	0.35/0.35	26/25	1900/1500	32/30	3.5/3.0	125/105	8/6	908
AV-A17251HB20	Ball	220~240	50/60	0.22/0.21	34/33	2700/3100	45/50	5.37/6.65	190/235	16.0/17.78	908
AV-A17251HS20	Sleeve	220~240	50/60	0.22/0.21	34/33	2700/3100	45/50	5.37/6.65	190/235	16.0/17.78	908
AV-A17251MB20	Ball	220~240	50/60	0.19/0.18	30/28	2400/2300	41/40	4.0/4.5	170/160	15/14	908
AV-A17251MS20	Sleeve	220~240	50/60	0.19/0.18	30/28	2400/2300	41/40	4.0/4.5	170/160	15/14	908
AV-A17251LB20	Ball	220~240	50/60	0.16/0.16	26/25	1900/1500	32/30	3.5/3.0	125/105	8/6	908
AV-A17251LS20	Sleeve	220~240	50/60	0.16/0.16	26/25	1900/1500	32/30	3.5/3.0	125/105	8/6	908
AV-A17251HB30	Ball	380	50	0.11	34	2700	45	5.37	190	15	908
AV-A17251HS30	Sleeve	380	50	0.11	34	2700	45	5.37	190	15	908



**AV-A22060**



**SIZE:**

Φ220x60mm

**construction:**

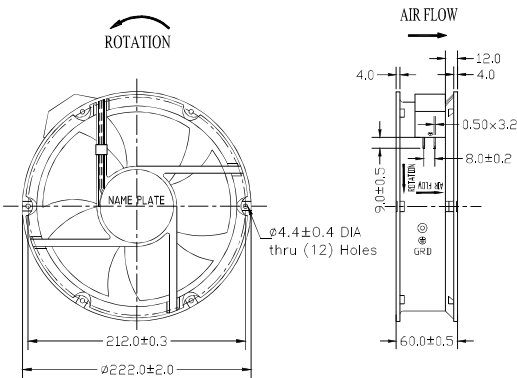
- Die -cast aluminum housing
- Glass fiber reinforced plastic:  
Impeller are UL 94V -0 rating
- Shaded pole motor
- Impedance protected
- Leader wire or terminal is available

**OPERATING TEMPERATURE:**

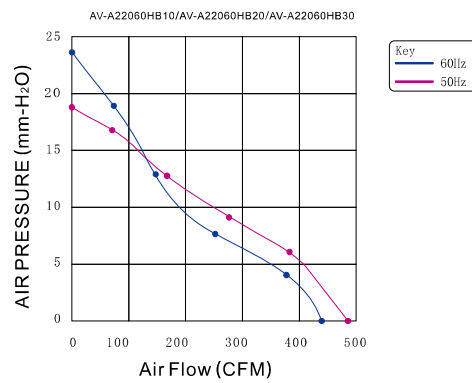
- Ball bearing -30°C to +75°C
- Sleeve bearing -10°C to +70°C

**Dimensions Drawing**

Unit:mm



**Characteristic Curves**



**Specifications**

Model	Bearing Type	Rated Voltage	Fre-	Current	Power	Speed	Noise Level	Air Flow		Static Pressure	Weight
		VAC	Hz	A	W	RPM	dBA	M <sup>3</sup> /min	CFM	mmH <sub>2</sub> O	g
AV-A22060HB10	Ball	115	50/60	0.76/0.77	57/58	2400	56	11	388	25.4	1400
AV-A22060HB10C	Ball	115	50/60	0.42/0.46	50/60	2800/3200	61/66	11.32/12.74	400/450	28/36	1540
AV-A22060HB20	Ball	220~240	50/60	0.28/0.29	42/38	2400	56	11	388	25.4	1400
AV-A22060HB20C	Ball	220~240	50/60	0.26/0.26	50/60	2800/3200	61/66	11.32/12.74	400/450	28/36	1540
AV-A22060HB30	Ball	380	50	0.16	47	2400	56	11	388	25.4	1400
AV-A22060HB30C	Ball	380	50	0.16	50	2800	61	11.32	400	28	1540

**AV-F4020**



**SIZE:**

40x40x20mm

**construction:**

Glass Fiber reinforced plastic;  
Impeller and housing PBT are UL 94V-0 rating

**OPERATING TEMPERATURE:**

Sleeve bearing -10°C to +70°C

**INSULATION RESISTANCE:**

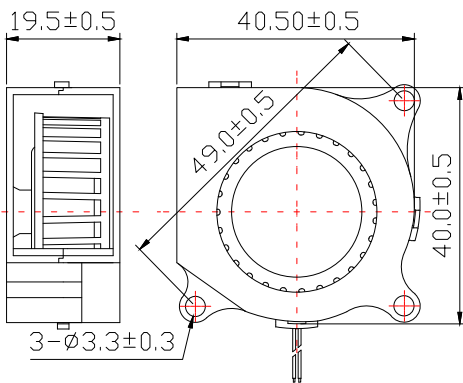
10meg Ohm min, at 500 VDC  
(between frame and terminal)

**DIELECTRIC STRENGTH:**

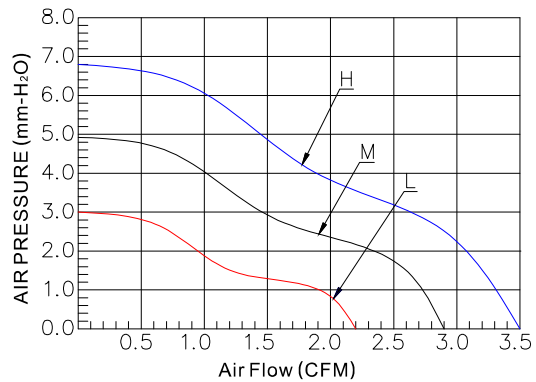
5mA max, at 500 VAC 60Hz one minute  
(between frame and terminal)

**| Dimensions Drawing**

Unit:mm



**| Characteristic Curves**



**| Specifications**

Model	Bearing Type	Rated Voltage	Operation Voltage	Current	Speed	Air Flow	Static Pressure	Noise Level	Weight
		VDC	VDC						
AV-F4020HS05	Sleeve	5	4.5~5.5	0.26	5300	3.50	6.80	29.60	24
AV-F4020MS05	Sleeve	5	4.5~5.5	0.20	4200	2.90	4.90	25.50	24
AV-F4020LS05	Sleeve	5	4.5~5.5	0.14	3000	2.20	3.00	21.40	24
AV-F4020HS	Sleeve	12	10.8~13.2	0.15	6000	4.10	8.50	34.80	24
AV-F4020MS	Sleeve	12	10.8~13.2	0.11	5300	3.50	6.80	29.60	24
AV-F4020LS	Sleeve	12	10.8~13.2	0.07	4200	2.90	4.90	25.50	24

**AV-F5015**



**SIZE:**

50x50x15mm

**construction:**

Glass Fiber reinforced plastic;  
Impeller and housing PBT are UL 94V-0 rating

**OPERATING TEMPERATURE:**

Sleeve bearing -10°C to +70°C

**INSULATION RESISTANCE:**

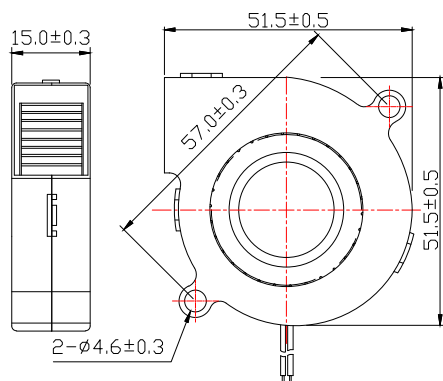
10meg Ohm min, at 500 VDC  
(between frame and terminal)

**DIELECTRIC STRENGTH:**

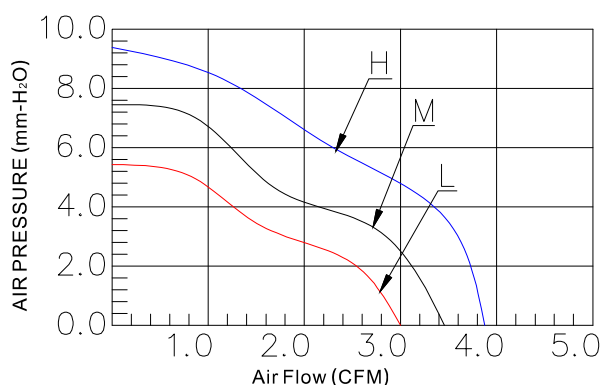
5mA max, at 500 VAC 60Hz one minute  
(between frame and terminal)

**| Dimensions Drawing**

Unit:mm



**| Characteristic Curves**



**| Specifications**

Model	Bearing Type	Rated Voltage	Operation Voltage	Current	Speed	Air Flow	Static Pressure	Noise Level	Weight
		VDC	VDC						
AV-F5015HS05	Sleeve	5	4.5~5.5	0.30	4200	3.92	9.05	35.00	25
AV-F5015MS05	Sleeve	5	4.5~5.5	0.23	3800	3.42	7.22	32.77	25
AV-F5015LS05	Sleeve	5	4.5~5.5	0.17	3500	3.00	5.50	31.00	25
AV-F5015HB05	Ball	5	4.5~5.5	0.30	4200	3.92	9.05	35.00	25
AV-F5015MB05	Ball	5	4.5~5.5	0.23	3800	3.42	7.22	32.77	25
AV-F5015LB05	Ball	5	4.5~5.5	0.17	3500	3.00	5.50	31.00	25
AV-F5015HS	Sleeve	12	10.8~13.2	0.16	4200	3.92	9.05	35.00	25
AV-F5015MS	Sleeve	12	10.8~13.2	0.12	3800	3.42	7.22	32.77	25
AV-F5015LS	Sleeve	12	10.8~13.2	0.08	3500	3.00	5.50	31.00	25
AV-F5015HB	Ball	12	10.8~13.2	0.16	4200	3.92	9.05	35.00	25
AV-F5015MB	Ball	12	10.8~13.2	0.12	3800	3.42	7.22	32.77	25
AV-F5015LB	Ball	12	10.8~13.2	0.08	3500	3.00	5.50	31.00	25

**AV-F6015**



**SIZE:**

60x60x15mm

**construction:**

Glass Fiber reinforced plastic;  
Impeller and housing PBT are UL 94V-0 rating

**OPERATING TEMPERATURE:**

Sleeve bearing -10°C to +70°C

**INSULATION RESISTANCE:**

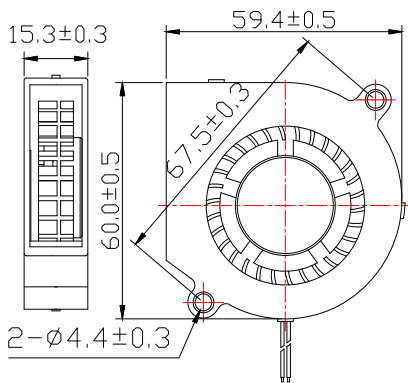
10meg Ohm min, at 500 VDC  
(between frame and terminal)

**DIELECTRIC STRENGTH:**

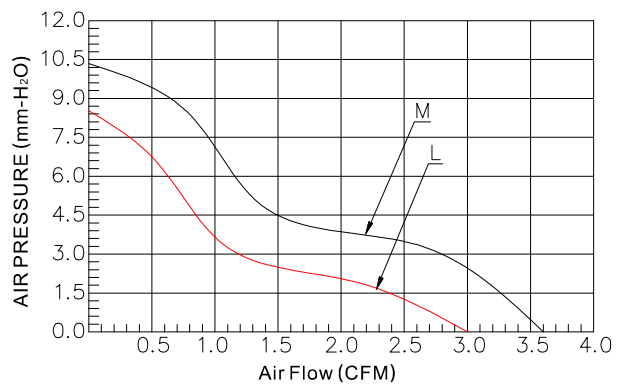
5mA max, at 500 VAC 60Hz one minute  
(between frame and terminal)

**| Dimensions Drawing**

Unit:mm



**| Characteristic Curves**



**| Specifications**

Model	Bearing Type	Rated Voltage	Operation Voltage	Current	Speed	Air Flow	Static Pressure	Noise Level	Weight
		VDC	VDC						
AV-F6015MS05	Sleeve	5	4.5~5.5	0.35	3500	3.60	10.02	33.50	35
AV-F6015LS05	Sleeve	5	4.5~5.5	0.12	2800	3.00	7.92	28.20	35
AV-F6015MS	Sleeve	12	10.8~13.2	0.20	3500	3.60	10.02	33.50	35
AV-F6015LS	Sleeve	12	10.8~13.2	0.16	2800	3.00	7.92	28.20	35

**AV-F7015**



**SIZE:**

70x70x15mm

**construction:**

Glass Fiber reinforced plastic;  
Impeller and housing PBT are UL 94V-0 rating

**OPERATING TEMPERATURE:**

Sleeve bearing -10°C to +70°C

**INSULATION RESISTANCE:**

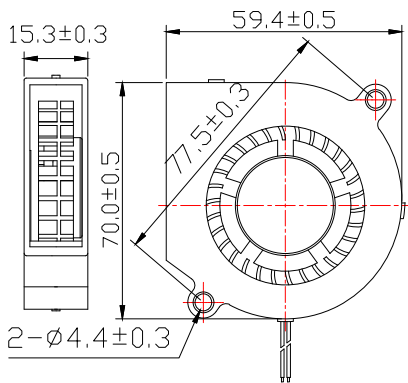
10meg Ohm min, at 500 VDC  
(between frame and terminal)

**DIELECTRIC STRENGTH:**

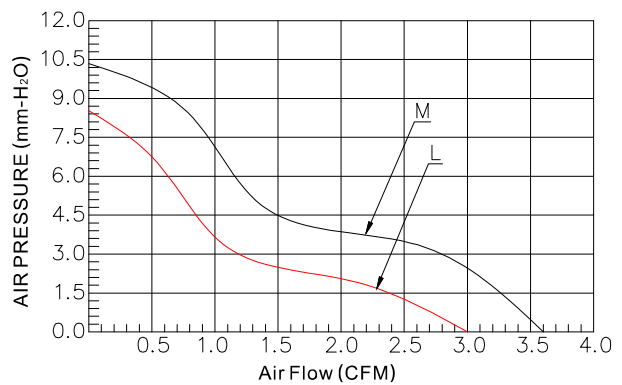
5mA max, at 500 VAC 60Hz one minute  
(between frame and terminal)

**| Dimensions Drawing**

Unit:mm



**| Characteristic Curves**



**| Specifications**

Model	Bearing Type	Rated Voltage	Operation Voltage	Current	Speed	Air Flow	Static Pressure	Noise Level	Weight
		VDC	VDC						
AV-F7015MS05	Sleeve	5	4.5~5.5	0.35	3500	3.60	10.02	33.50	35
AV-F7015LS05	Sleeve	5	4.5~5.5	0.12	2800	3.00	7.92	28.20	35
AV-F7015MS	Sleeve	12	10.8~13.2	0.20	3500	3.60	10.02	33.50	35
AV-F7015LS	Sleeve	12	10.8~13.2	0.16	2800	3.00	7.92	28.20	35

**AV-F7530**



**SIZE:**

75x75x30mm

**construction:**

Glass Fiber reinforced plastic;  
Impeller and housing PBT are UL 94V-0 rating

**OPERATING TEMPERATURE:**

Sleeve bearing -10°C to +70°C

**INSULATION RESISTANCE:**

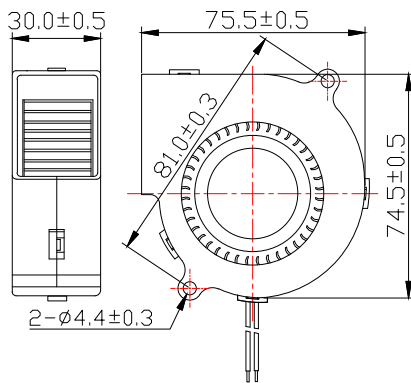
10meg Ohm min, at 500 VDC  
(between frame and terminal)

**DIELECTRIC STRENGTH:**

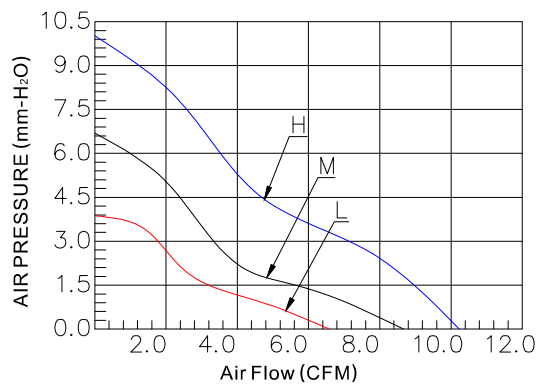
5mA max, at 500 VAC 60Hz one minute  
(between frame and terminal)

**| Dimensions Drawing**

Unit:mm



**| Characteristic Curves**



**| Specifications**

Model	Bearing Type	Rated Voltage	Operation Voltage	Current	Speed	Air Flow	Static Pressure	Noise Level	Weight
		VDC	VDC						
AV-F7530HS	Sleeve	12	10.8~13.2	0.50	3000	10.50	9.80	37.50	76
AV-F7530MS	Sleeve	12	10.8~13.2	0.40	2500	8.80	6.60	35.50	76
AV-F7530LS	Sleeve	12	10.8~13.2	0.30	2000	7.10	3.90	27.50	76
AV-F7530HB	Ball	12	10.8~13.2	0.50	3000	10.50	9.80	37.50	76
AV-F7530MB	Ball	12	10.8~13.2	0.40	2500	8.80	6.60	35.50	76
AV-F7530LB	Ball	12	10.8~13.2	0.30	2000	7.10	3.90	27.50	76
AV-F7530HS24	Sleeve	24	21.6~26.4	0.30	3000	10.50	9.80	37.50	76
AV-F7530MS24	Sleeve	24	21.6~26.4	0.24	2500	8.80	6.60	35.50	76
AV-F7530LS24	Sleeve	24	21.6~26.4	0.18	2000	7.10	3.90	27.50	76
AV-F7530HB24	Ball	24	21.6~26.4	0.30	3000	10.50	9.80	37.50	76
AV-F7530MB24	Ball	24	21.6~26.4	0.24	2500	8.80	6.60	35.50	76
AV-F7530LB24	Ball	24	21.6~26.4	0.18	2000	7.10	3.90	27.50	76

**AV-F9733**



**SIZE:**

97x97x33mm

**construction:**

Glass Fiber reinforced plastic;  
Impeller and housing PBT are UL 94V-0 rating

**OPERATING TEMPERATURE:**

Sleeve bearing -10°C to +70°C

**INSULATION RESISTANCE:**

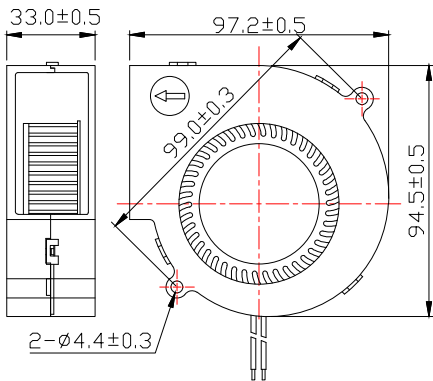
10meg Ohm min, at 500 VDC  
(between frame and terminal)

**DIELECTRIC STRENGTH:**

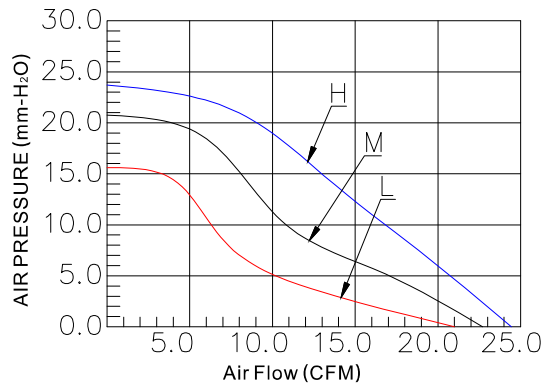
5mA max, at 500 VAC 60Hz one minute  
(between frame and terminal)

**| Dimensions Drawing**

Unit:mm



**| Characteristic Curves**



**| Specifications**

Model	Bearing Type	Rated Voltage	Operation Voltage	Current	Speed	Air Flow	Static Pressure	Noise Level	Weight
		VDC	VDC						
AV-F9733HS	Sleeve	12	10.8~13.2	1.00	3200	24.90	23.06	48.83	146
AV-F9733MS	Sleeve	12	10.8~13.2	0.60	3000	23.10	20.86	43.67	146
AV-F9733LS	Sleeve	12	10.8~13.2	0.50	2600	20.10	15.03	34.34	146
AV-F9733HB	Ball	12	10.8~13.2	1.00	3200	24.90	23.06	48.83	146
AV-F9733MB	Ball	12	10.8~13.2	0.60	3000	23.10	20.86	43.67	146
AV-F9733LB	Ball	12	10.8~13.2	0.50	2600	20.10	15.03	34.34	146
AV-F9733HS24	Sleeve	24	21.6~26.4	0.60	3200	24.90	23.06	48.83	146
AV-F9733MS24	Sleeve	24	21.6~26.4	0.40	3000	23.10	20.86	43.67	146
AV-F9733LS24	Sleeve	24	21.6~26.4	0.30	2600	20.10	15.03	34.34	146
AV-F9733HB24	Ball	24	21.6~26.4	0.60	3200	24.90	23.06	48.83	146
AV-F9733MB24	Ball	24	21.6~26.4	0.40	3000	23.10	20.86	43.67	146
AV-F9733LB24	Ball	24	21.6~26.4	0.30	2600	20.10	15.03	34.34	146

**AV-F12032**



**SIZE:**

120x120x32mm

**construction:**

Glass Fiber reinforced plastic;  
Impeller and housing PBT are UL 94V-0 rating

**OPERATING TEMPERATURE:**

Sleeve bearing -10°C to +70°C

**INSULATION RESISTANCE:**

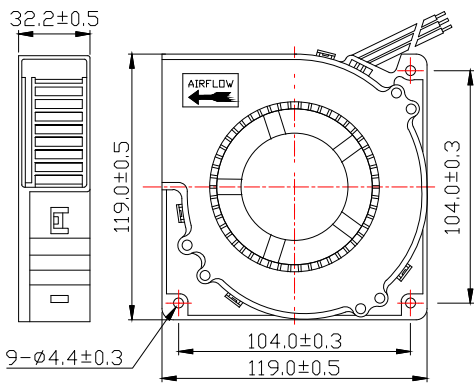
10meg Ohm min, at 500 VDC  
(between frame and terminal)

**DIELECTRIC STRENGTH:**

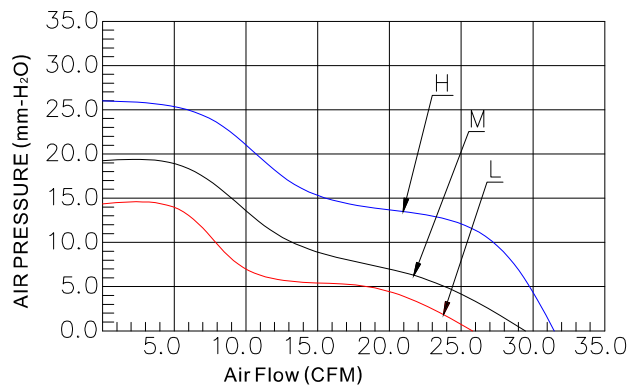
5mA max, at 500 VAC 60Hz one minute  
(between frame and terminal)

**| Dimensions Drawing**

Unit:mm



**| Characteristic Curves**



**| Specifications**

Model	Bearing Type	Rated Voltage	Operation Voltage	Current	Speed	Air Flow	Static Pressure	Noise Level	Weight
		VDC	VDC						
AV-F12032HS	Sleeve	12	10.8~13.2	0.60	2100	31.83	25.10	45.80	240
AV-F12032MS	Sleeve	12	10.8~13.2	0.50	1800	28.89	18.55	43.70	240
AV-F12032LS	Sleeve	12	10.8~13.2	0.32	1600	25.87	14.10	40.90	240
AV-F12032HB	Ball	12	10.8~13.2	0.60	2100	31.83	25.10	45.80	240
AV-F12032MB	Ball	12	10.8~13.2	0.50	1800	28.89	18.55	43.70	240
AV-F12032LB	Ball	12	10.8~13.2	0.32	1600	25.87	14.10	40.90	240
AV-F12032HS24	Sleeve	24	21.6~26.4	0.40	2100	31.83	25.10	45.80	240
AV-F12032MS24	Sleeve	24	21.6~26.4	0.30	1800	28.89	18.55	43.70	240
AV-F12032LS24	Sleeve	24	21.6~26.4	0.20	1600	25.87	14.10	40.90	240
AV-F12032HB24	Ball	24	21.6~26.4	0.40	2100	31.83	25.10	45.80	240
AV-F12032MB24	Ball	24	21.6~26.4	0.30	1800	28.89	18.55	43.70	240
AV-F12032LB24	Ball	24	21.6~26.4	0.20	1600	25.87	14.10	40.90	240



**LED Fan Series**



8025慢闪7彩



8025慢闪7彩



8025透明白灯



8025透明红灯



8025透明黄灯



8025透明蓝灯



8025透明绿灯



12025透明白灯



12025透明橙灯



12025透明红灯



12025透明黄灯



12025透明蓝灯



12025透明绿灯



12025透明黑红灯



12025透明慢闪7彩



12025透明慢闪7彩

Other Fan Series



7025透明蓝



8015 白框红叶



8025透明



8025透明绿



12025透明白



12025红框红叶



12025红框绿叶



12025透明



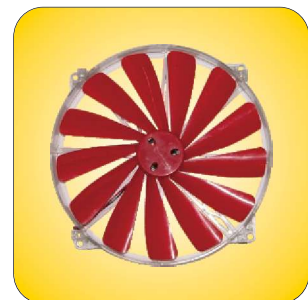
12025透明黑框



12025透明绿



14025 透明黑框



18020



20020



22030



3225



3830

**CPU Cooler Series**

AV-C001



**Fan Specification**  
Fan Size(mm): 80x80x25  
Bearing Type: Vacuum Rifle Bearing  
Rated Voltage(V): 12  
Rated Speed(RPM): 2800  
Air Flow(CFM): 62.5  
Noise Level(dBA): 27.58  
Life Time(hour): 60000

**Heatsink**  
Dimension(mm): 80x72x48  
Material: Copper  
Application  
For AMD 754/939/940/AM2/AM2+/AM3/FM1:  
Sempron, Athlon 64 Athlon x2,  
Phenom 64

AV-C002



**Fan Specification**  
Fan Size(mm): 70x70x25  
Bearing Type: Vacuum Rifle Bearing  
Rated Voltage(V): 12  
Rated Speed(RPM): 3500  
Air Flow(CFM): 58.63  
Noise Level(dBA): 27.25  
Life Time(hour): 60000

**Heatsink**  
Dimension(mm): 80x70x40  
Material: Aluminum  
Application  
For AMD 754/939/940/AM2/AM2+/AM3/FM1:  
Sempron, Athlon 64 Athlon x2,  
Phenom 64

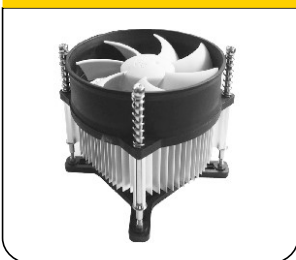
AV-C003



**Fan Specification**  
Fan Size(mm): 80x80x25  
Bearing Type: Vacuum Rifle Bearing  
Rated Voltage(V): 12  
Rated Speed(RPM): 2200  
Air Flow(CFM): 37.42  
Noise Level(dBA): 24.5  
Life Time(hour): 60000

**Heatsink**  
Dimension(mm): 80x72x39  
Material: Aluminum  
Application  
For intel LGA775/LGA1155/LGA1156:  
Core 2 DUO, Celeron, pentium 4,  
Pedntium D Core i7, Core i5, Core i3  
For AMD 754/939/940/AM2/AM2+/AM3/FM1:  
Sempron, Athlon 64 Athlon x2,  
Phenom 64

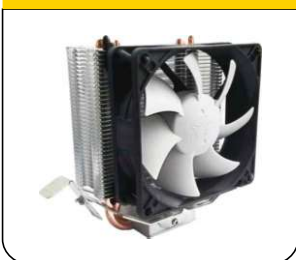
AV-C004



**Fan Specification**  
Fan Size(mm): 90x90x25  
Bearing Type: Vacuum Rifle Bearing  
Rated Voltage(V): 12  
Rated Speed(RPM): 2000  
Air Flow(CFM): 38.2  
Noise Level(dBA): 18.5  
Life Time(hour): 60000

**Heatsink**  
Dimension(mm): 88x78x26  
Material: Aluminum  
Application  
For intel LGA775/LGA1155/LGA1156:  
Core 2 DUO, Celeron, pentium 4,  
Pedntium D Core i7, Core i5, Core i3

AV-C005



**Fan Specification**  
Fan Size(mm): 80x80x25  
Bearing Type: Vacuum Rifle Bearing  
Rated Voltage(V): 12  
Rated Speed(RPM): 2200  
Air Flow(CFM): 37.42  
Noise Level(dBA): 24.5  
Life Time(hour): 60000

**Heatsink**  
Dimension(mm): 86x36x108  
Material: Heatpipe  
Application  
For intel LGA775/LGA1155/LGA1156:  
Core 2 DUO, Celeron, pentium 4,  
Pedntium D Core i7, Core i5, Core i3  
For AMD 754/939/940/AM2/AM2+/AM3/FM1:  
Sempron, Athlon 64 Athlon x2,  
Phenom 64

**CPU Cooler Series**

AV-C006



**Fan Specification**  
Fan Size(mm): 140x140x25  
Bearing Type: Vacuum Rifle Bearing  
Rated Voltage(V): 12  
Rated Speed(RPM): 1200  
Air Flow(CFM): 71.8  
Noise Level(dBA): 26.38  
Life Time(hour): 60000

**Heatsink**  
Dimension(mm): 140x45x148  
Material: Heatpipe  
Application  
For intel LGA775/LGA1155/LGA1156:  
Core 2 DUO, Celeron, pentium 4,  
Pedntium D Core i7, Core i5, Core i3  
For AMD 754/939/940/AM2/AM2+/AM3/FM1:  
Sempron, Athlon 64 Athlon x2,  
Phenom 64

AV-C007



**Fan Specification**  
Fan Size(mm): 90x90x25  
Bearing Type: Vacuum Rifle Bearing  
Rated Voltage(V): 12  
Rated Speed(RPM): 2000  
Air Flow(CFM): 38.2  
Noise Level(dBA): 18.5  
Life Time(hour): 60000

**Heatsink**  
Dimension(mm): 96x48x116  
Material: Heatpipe  
Application  
For intel LGA775/LGA1155/LGA1156:  
Core 2 DUO, Celeron, pentium 4,  
Pedntium D Core i7, Core i5, Core i3  
For AMD 754/939/940/AM2/AM2+/AM3/FM1:  
Sempron, Athlon 64 Athlon x2,  
Phenom 64

AV-C008



**Fan Specification**  
Fan Size(mm): 90x90x25  
Bearing Type: Vacuum Rifle Bearing  
Rated Voltage(V): 12  
Rated Speed(RPM): 900~2000  
Air Flow(CFM): 20~40  
Noise Level(dBA): 12.1~20  
Life Time(hour): 60000

**Heatsink**  
Dimension(mm): 96x48x116  
Material: Heatpipe  
Application  
For intel LGA775/LGA1155/LGA1156:  
Core 2 DUO, Celeron, pentium 4,  
Pedntium D Core i7, Core i5, Core i3  
For AMD 754/939/940/AM2/AM2+/AM3/FM1:  
Sempron, Athlon 64 Athlon x2,  
Phenom 64

AV-C009



**Fan Specification**  
Fan Size(mm): 90x90x25  
Bearing Type: Vacuum Rifle Bearing  
Rated Voltage(V): 12  
Rated Speed(RPM): 2000  
Air Flow(CFM): 38.2  
Noise Level(dBA): 18.5  
Life Time(hour): 60000

**Heatsink**  
Dimension(mm): 95x73x43  
Material: Aluminum  
Application  
For intel LGA775/LGA1155/LGA1156:  
Core 2 DUO, Celeron, pentium 4,  
Pedntium D Core i7, Core i5, Core i3  
For AMD 754/939/940/AM2/AM2+/AM3/FM1:  
Sempron, Athlon 64 Athlon x2,  
Phenom 64

AV-C010



**Fan Specification**  
Fan Size(mm): 90x90x25  
Bearing Type: Vacuum Rifle Bearing  
Rated Voltage(V): 12  
Rated Speed(RPM): 2000  
Air Flow(CFM): 38.2  
Noise Level(dBA): 18.5  
Life Time(hour): 60000

**Heatsink**  
Dimension(mm): 112x110x57  
Material: Aluminum  
Application  
For intel LGA775/LGA1155/LGA1156:  
Core 2 DUO, Celeron, pentium 4,  
Pedntium D Core i7, Core i5, Core i3  
For AMD 754/939/940/AM2/AM2+/AM3/FM1:  
Sempron, Athlon 64 Athlon x2,  
Phenom 64

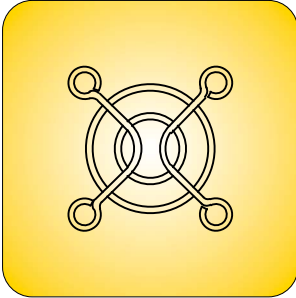
**Notebook Cooler Series**



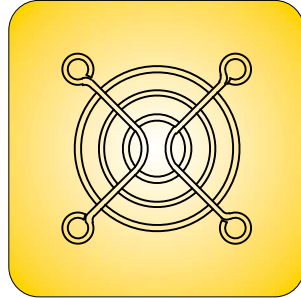
**Notebook Cooler Series**



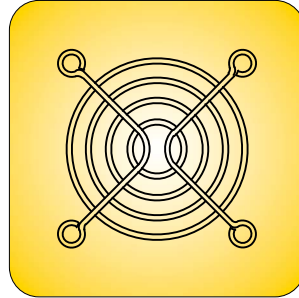
**Net Cover Series**



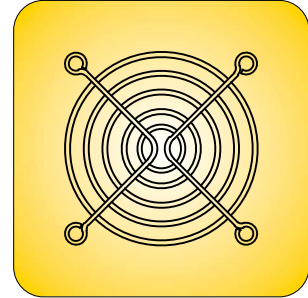
4cm



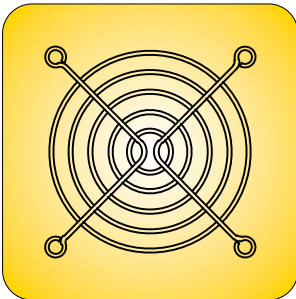
5cm



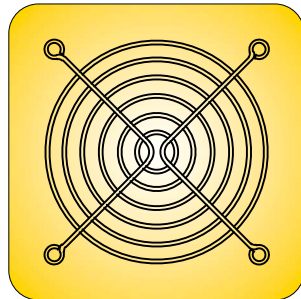
6cm



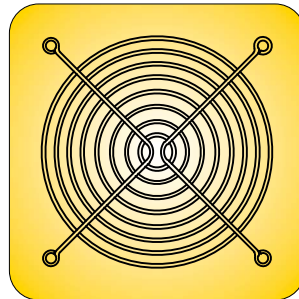
7cm



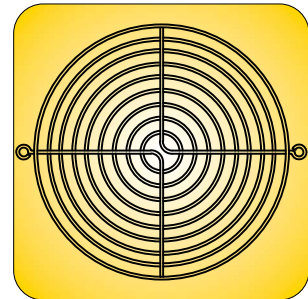
8cm



9cm



12cm



17cm



20cm



6cm



8cm



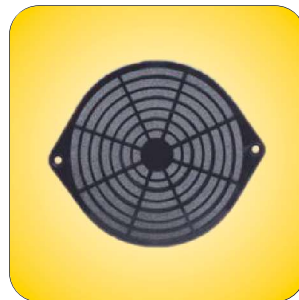
9cm



12cm



17cm











17cm










20cm

## High Performance Fan Series

Photo	Frame Size (mm)	Model	Bearing Type	Rated Voltage	Operation Voltage	Current	Speed	Air Flow	Static Pressure	Noise Level	Weight
				VDC	VDC	A	RPM	CFM	mmH <sub>2</sub> O	dBA	g
	60 x 60 x 25	AV-F6025DB	Ball	12	6.0~13.8	0.80	9000	46.9	19.7	53	49.2
		AV-F6025DB24		24	12.0~27.6	0.45	9000	46.9	19.7	53	
		AV-F6025DB48		48	24.0~55.2	0.20	9000	46.9	19.7	53	
	70 x 70 x 25	AV-F7025DB	Ball	12	6.0~13.8	0.80	7500	59.8	15.0	54	59.3
		AV-F7025DB24		24	12.0~27.6	0.45	7500	59.8	15.0	54	
		AV-F7025DB48		48	24.0~55.2	0.20	7500	59.8	15.0	54	
	80 x 80 x 25	AV-F8025DB	Ball	12	6.0~13.8	0.80	5500	66.4	11.5	51	60.9
		AV-F8025DB24		24	12.0~27.6	0.45	5500	66.4	11.5	51	
		AV-F8025DB48		48	24.0~55.2	0.20	5000	59.4	9.0	48	
	80 x 80 x 25	AV-F8025DB	Ball	12	6.0~13.8	0.80	5500	72.6	11.2	49	60.9
		AV-F8025DB24		24	12.0~27.6	0.45	5500	72.6	11.2	49	
		AV-F8025DB48		48	24.0~55.2	0.20	5000	65.8	9.6	47	
	92 x 92 x 25	AV-F9225DB	Ball	12	6.0~13.8	0.80	4500	94.4	8.8	50	70
		AV-F9225DB24		24	12.0~27.6	0.45	4500	94.4	8.8	50	
		AV-F9225DB48		48	24.0~55.2	0.20	4000	83.8	7.2	45	
	120 x 120 x 25	AV-F12025DB	Ball	12	6.0~13.8	1.00	3500	141.1	7.3	50	130
		AV-F12025DB24		24	12.0~27.6	0.50	3000	116.8	5.0	45	
		AV-F12025DB48		48	24.0~55.2	0.25	3000	116.8	5.0	45	
	120 x 120 x 32	AV-F12032DB	Ball	12	6.0~13.8	2.60	6500	210.0	33.0	64	250
		AV-F12032DB24		24	12.0~27.6	1.80	7000	224.4	34.0	68	
		AV-F12032DB48		48	24.0~55.2	0.90	7000	224.4	34.0	68	
	120 x 120 x 38	AV-F12038DB	Ball	12	6.0~13.8	2.80	5500	228.4	25.3	61	236
		AV-F12038DB24		24	12.0~27.6	1.80	6000	249.0	32.2	64	
		AV-F12038DB48		48	24.0~55.2	1.00	6000	249.0	32.2	64	



## High Performance Fan Series

Photo	Frame Size (mm)	Model	Bearing Type	Rated Voltage	Operation Voltage	Current	Speed	Air Flow	Static Pressure	Noise Level	Weight
				VDC	VDC	A	RPM	CFM	mmH <sub>2</sub> O	dBA	g
	Φ151 x 55	AV-F15155DB24	Ball	24	15.0~27.6	2.80	5000	353.6	40.4	70	740
		AV-F15155DB48		48	24.0~55.2	1.40	5000	353.6	40.4	70	
	Φ151 x 55	AV-F15155DB24	Ball	24	15.0~27.6	2.80	5000	345.4	54.8	69	756
		AV-F15155DB48		48	24.0~55.2	1.40	5000	345.4	54.8	69	
	Φ172 x 51	AV-F17251DB24	Ball	24	15.0~27.6	2.80	5000	349.5	45.2	68	800
		AV-F17251DB48		48	24.0~55.2	1.40	5000	349.5	45.2	68	
	Φ172 x 51	AV-F17251DB24	Ball	24	15.0~27.6	2.80	5000	347.9	54.9	66	830
		AV-F17251DB48		48	24.0~55.2	1.40	5000	347.9	54.9	66	
	172 x 150 x 51	AV-F17251DB24	Ball	24	15.0~27.6	2.80	5000	348.8	43.8	69	715
		AV-F17251DB48		48	24.0~55.2	1.40	5000	348.8	43.8	69	
	172 x 150 x 51	AV-F17251DB24	Ball	24	15.0~27.6	2.80	5000	345.1	56.4	68	735
		AV-F17251DB48		48	24.0~55.2	1.40	5000	345.1	56.4	68	
	97 x 94 x 33	AV-F9733DB	Ball	12	6.0~13.8	2.00	5500	36.6	59.7	62	165
						1.50	5000	33.3	47.4	60	
		AV-F9733DB24		24	12.0~27.6	1.00	5500	36.6	59.7	62	
						1.00	5000	33.3	47.4	60	
		AV-F9733DB48		48	24.0~55.2	1.00	5500	36.6	59.7	62	
						0.40	5000	33.3	47.4	60	

**Plug Power Line Series**



101 plus



102+103-plus



102a+103-plus



202a-plus



203 plus



204-plus



801 PLUG



802-plus

**AV Series**



2RCA to 2RCA



3.5mm to 2RCA



3.5mm to 2x3.5mm单



3.5mm to 3.5mm



3RCA to 3RCA



1394 6P to 4P



DB9P to AM转端子+DC头



DB25P to DB9P

**USB Series**



AM to AF



USB充电线



AM to AF



AM to M2N25P



AM to MICV05P



AM to AM

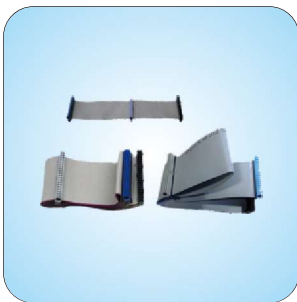


AM to BM

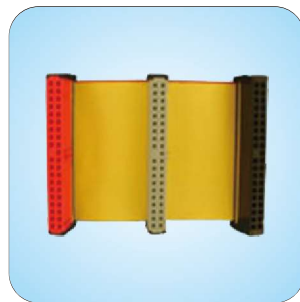


M2N25P to 5P

**Cabel Series**



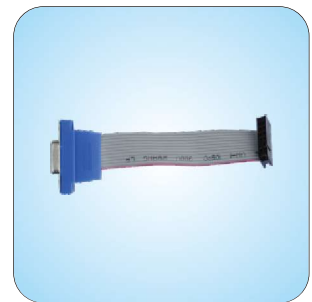
ATA灰排线



ATA 80P黄排线'



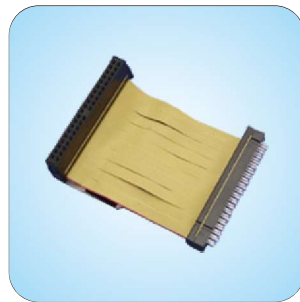
ATA 80P灰排线



DB 25P to 26P



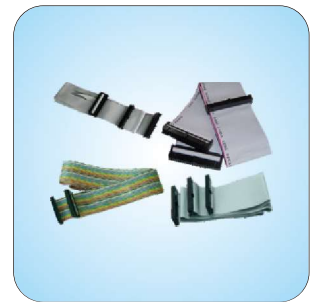
DB25P to PH2.0



ATA 80P to D2P 80P



DB9P to IDC10P



IDE 排线

**SATA Series**



SATA 7P to 7P



SATA 7+15P/7P+端子



SATA 15P母 to 大4P



SATA 15P公 to 大4P



SATA 15Px2 to 大4P



SATA 7+15P母 to 7+15P母

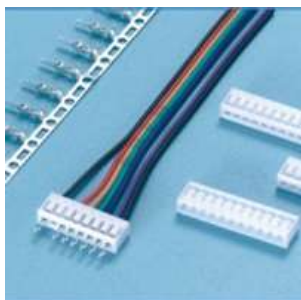


SATA 7+15P to 大4P/7P



SATA 7P

**Terminal line Series**





CE认证



CQC (英)



CQC (中)



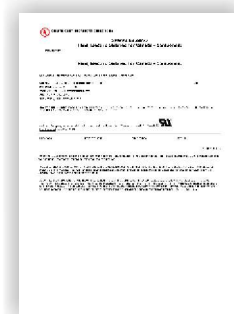
TUV认证



Fc认证



SGS认证



UI认证